
Compressor Wine Cooler

Instructional Manual

CC34SB/CC29DB

CC62SB/CC54DB

CC102SB/CC102DB



cavecool
WINE COOLING UNITS

Before use, please read and follow the safety and operating instructions in this manual.

Firstly, we would like to thank you for choosing our products and hope that this appliance will fully live up to your expectations.

This appliance enables you to store your bottles or bring them to service temperature (depending on the bottles) thanks to its wide adjustment range.

1. GENERAL SAFETY INSTRUCTIONS

For your own safety and for the proper utilization of the appliance, read this manual carefully, including the warnings and recommendations, before installing the appliance and using it for the first time. In order to avoid damage to the appliance and/or personal injury, persons using the appliance should be fully familiar with its operation and safety functions. Keep these recommendations close to the appliance, for future reference, and ensure that the document is transferred with the appliance, if it is sold or in the case of moving. This will ensure optimum operation of the appliance.

To avoid any risk of injury, keep this manual. The manufacturer declines any liability whatsoever in the case of operating/handling errors concerning the appliance.

Safety of children and other vulnerable persons

- This appliance may be used by children aged 8 years and above, or by persons who are physically, sensorially or mentally handicapped, or who have not learned to use the appliance, providing they are supervised by a person familiar with the appliance and who is aware of the risks involved. Children should not be allowed to play with the appliance. User cleaning and servicing operations should not be carried out by children, unless they are more than 8 years old and are supervised.
- Keep all packaging out of the reach of children, as there is a risk of suffocation.
- If you decide to scrap the appliance, disconnect it from the wall socket, cut the connection cable (as close to the appliance as possible) and remove the door, in order to prevent children playing with it, with the resulting risk of electric shock or being trapped inside.
- If an appliance with a magnetic door seal is being replaced by another appliance with a latch on the door or on the seal, ensure that the latch is disabled before selling or scrapping the old appliance. This will prevent the appliance from being transformed into a trap for children.
- Keep the appliance and its power cable out of reach of children less than 8 years old.

General safety

CAUTION — This appliance is designed for home use.

CAUTION — Never store inflammable substances, such as aerosols, inside the appliance, as they could leak or release fluids.

CAUTION — A damaged power cable should be immediately replaced by the manufacturer or by a qualified retailer, in order to avoid any risk of electric shock.

CAUTION — Keep the ventilation openings well open and ensure that air can circulate, especially if the appliance is recessed into a wall.

CAUTION — Do not damage the refrigerating circuit.

CAUTION — Do not use electrical appliances inside the compartment, unless they are tolerated by the manufacturer.

CAUTION — The refrigerating and insulating systems contain inflammable gases. When the appliance is scrapped, it should be deposited at an accredited collection center. Do not expose the appliance to fire.

CAUTION — For safety reasons and to ensure the optimum functionality of the wine cooler it's important that you connect your wine cooler using an earth/ground connection plug and keep the wine cooler perfectly plump and level.

Refrigerating fluid

The refrigerating circuit in the appliance uses refrigerating isobutane (R600a), which is a highly inflammable natural gas and is therefore dangerous for the environment. When transporting or installing the appliance ensure that no element of the refrigerating circuit is damaged. The refrigerating fluid (R600a) is inflammable.

Caution: Fire risk

If the refrigerating circuit is damaged:

- Avoid open flames or any source of combustion.
- Ensure that the room in which the appliance is installed is well ventilated. It is dangerous to change the specification of the appliance in any way whatsoever.
- Damage to the power cable may cause a short circuit and/or electric shock.

Electrical safety

- We decline any liability in respect of incidents caused by poor electrical installation.
- Do not extend the power cable. Do not use an extension cable, or adapter, or multi-way socket.
- Check that the wall socket is not damaged. A wall socket in poor condition may cause the appliance to overheat and explode.
- Check that the wall socket used for the appliance is properly accessible.
- Never pull on the main power cable.
- Ensure that the appliance is always electrically earthed.
- If the wall socket is loose, do not connect the cable, as there is a risk of electric shock or fire.
- Do not use the appliance if the interior lighting cover is not installed.
- Disconnect the appliance before replacing the lighting bulb.
- The appliance operates on a single phase 220~240 V / 50 Hz power supply.
- The appliance must be connected to an earthed wall socket, in accordance with applicable recommendations.
- Do not attempt to replace a damaged power cable, contact your after-sales service.
- The power socket must be easily accessible but out of reach of children.

In case of doubt, contact your installation technician.

Daily utilization

- Do not store inflammable substances or fluids inside the appliance. This would create a risk of explosion.
- Do not operate other electrical equipment inside the appliance (mixers, whirling rotor for ice cream, etc.).
- When disconnecting the appliance, grip the plug firmly and do not pull on the cable.
- Do not expose the appliance to direct sunlight.

-
- Keep the appliance away from candles, luminaries and open flames, in order to avoid fire risk.
 - This appliance is only designed to store wines and drinks.
 - The appliance is heavy. Be careful when moving it.
 - If your appliance is equipped with castors, remember that these are only designed to facilitate minor movements. Do not move the appliance over long distances.
 - Do not lean or climb on the appliance or its elements.
 - In order to avoid falling objects and to prevent damage to the appliance do not overload the compartments of the appliance.

Caution! Cleaning and servicing

- Before carrying out servicing, switch off the power supply and disconnect the appliance.
- When cleaning the appliance, do not use metal objects, steam systems, volatile fluids, organic solvents or abrasive substances.
- Do not use sharp or pointed objects to remove ice. Use a plastic scraper.

Important information concerning installation!

- To ensure proper electrical connection, follow the recommendations given in this manual.
- Unpack the appliance and visually check that it is not damaged. Do not connect a damaged appliance. Inform your retailer or point of sale of any damage. In such a case, keep the packaging.
- It is recommended that the appliance be allowed to settle for at least 4 hours before connecting the electrical power supply, so that the compressor fluid feed is correct.
- Proper air circulation is necessary to avoid overheating. To ensure sufficient ventilation, observe the installation recommendations provided.
- In order to avoid fire risk, wherever possible, ensure that the appliance is not in contact with walls or with any hot element (compressor, condenser). Observe the installation recommendations.
- The appliance should not be placed close to radiators or cooking hot plates or gas rings.
- Check that electrical sockets remain accessible when the appliance is installed.
- Plug the wine cooler into a properly installed wall outlet with an earth/ground connection plug. Any questions concerning power should be directed toward a certified electrician or an authorized products service center.

Power saving

To limit the electricity consumption of your appliance:

- Install it in an appropriate place (see "Installing your appliance").
- Leave the doors open as little time as possible.
- To ensure that the appliance operates properly, clean the condenser regularly (see "Routine servicing of your appliance").
- Regularly inspect the door seals and ensure that they are still closing properly. If this is not the case contact your after-sales service.

Trouble shooting

- Any electrical work should be carried out by a qualified and skilled technician.
- The appliance should be repaired by an accredited repair center, using only the manufacturer's original spare parts.

The appliance is designed for home use only. The manufacturer declines any liability whatsoever in case of other utilizations.



R600a

Safety instructions



Caution: Do not obstruct the ventilation grills on the appliance.



Caution: Do not store explosive substances, such as aerosol cans containing an inflammable propellant, in the appliance.



Caution: Do not damage the refrigerating circuit in the appliance.



Caution: The refrigerating units use isobutane (R600a) and should not be placed close to ignition sources (for example, electrical contacts that are exposed or open contacts that could be closed by the refrigerating fluid in the event of a leak). The refrigerating fluid type is specified on the power cabinet identification plate.



Caution: Do not use electrical equipment in the compartments of the appliance, unless they are of the type recommended by the manufacturer.

This appliance meets the requirements of all applicable European directives and their amendments, and notably complies with the following standards:

1907/2006 (REACH)

2011/65/EU (ROHS)

2006/95/EC relating to electrical safety

2004/108/EC relating to electro-magnetic compatibility

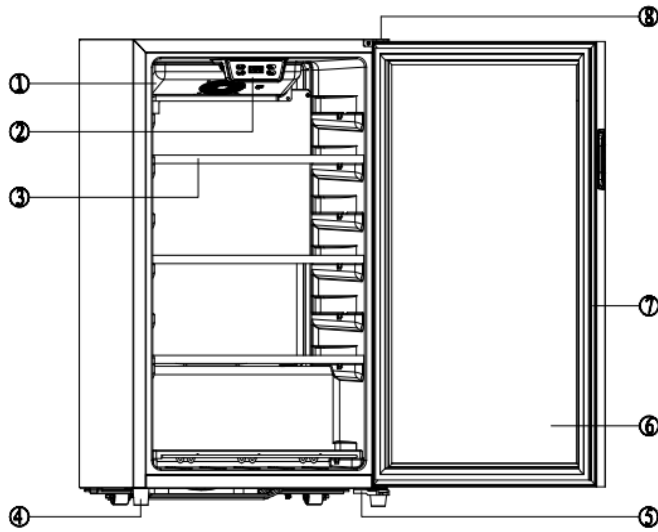
2008/48 relating to electro-magnetic fields

2010/30 and 1060/2010 relating to energy labels



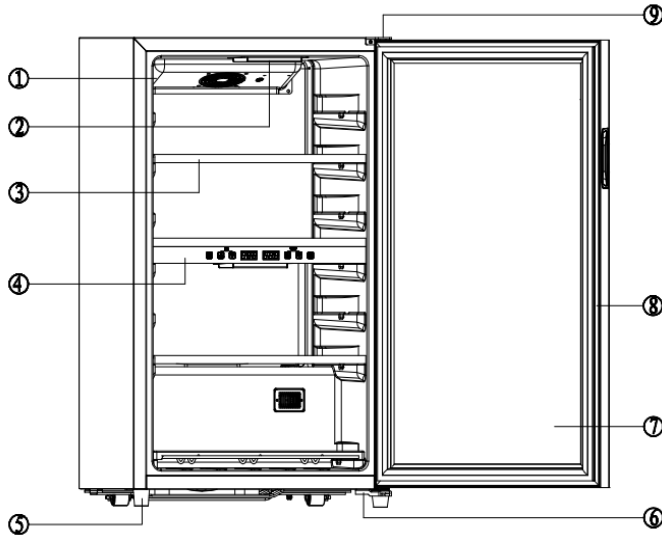
DESCRIPTION OF APPLIANCE

Model CC34SB:



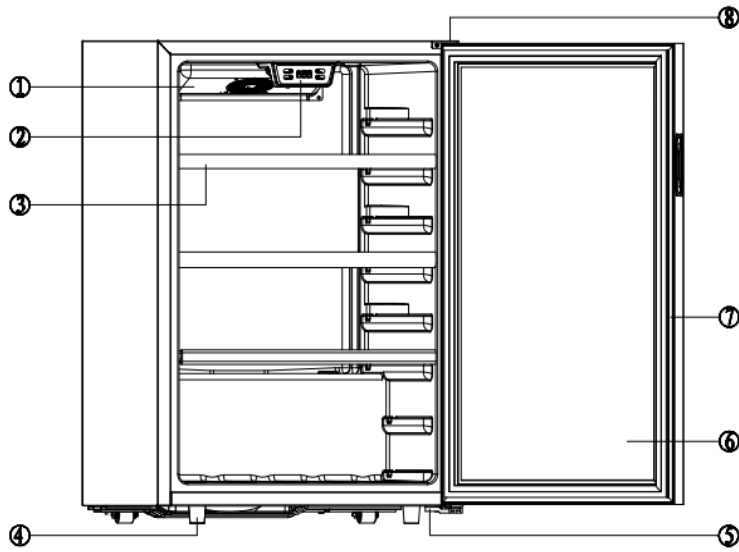
1	Fan
2	Control panel and LED light
3	Shelf
4	Feet
5	Lower hinge
6	Door
7	Gasket
8	Upper hinge

Model CC29DB:



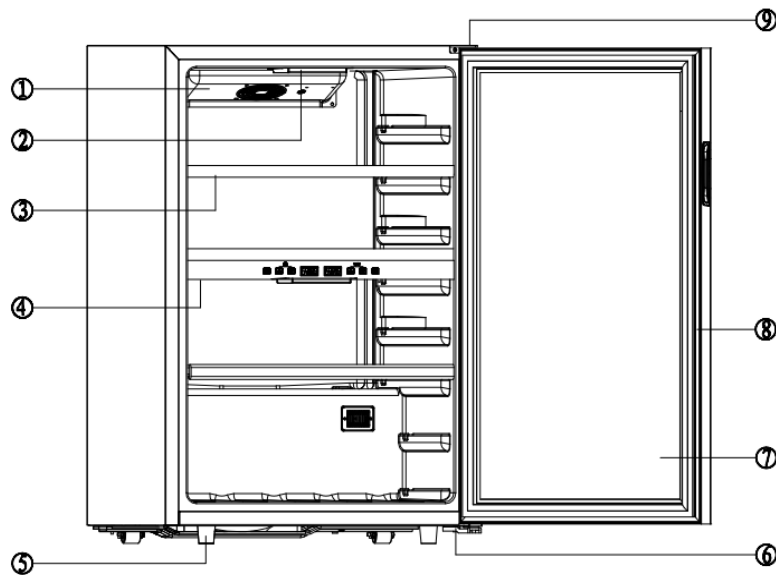
1	Fan
2	LED light
3	Shelf
4	Control panel
5	Feet
6	Lower hinge
7	Door
8	Gasket
9	Upper hinge

Model CC62SB:



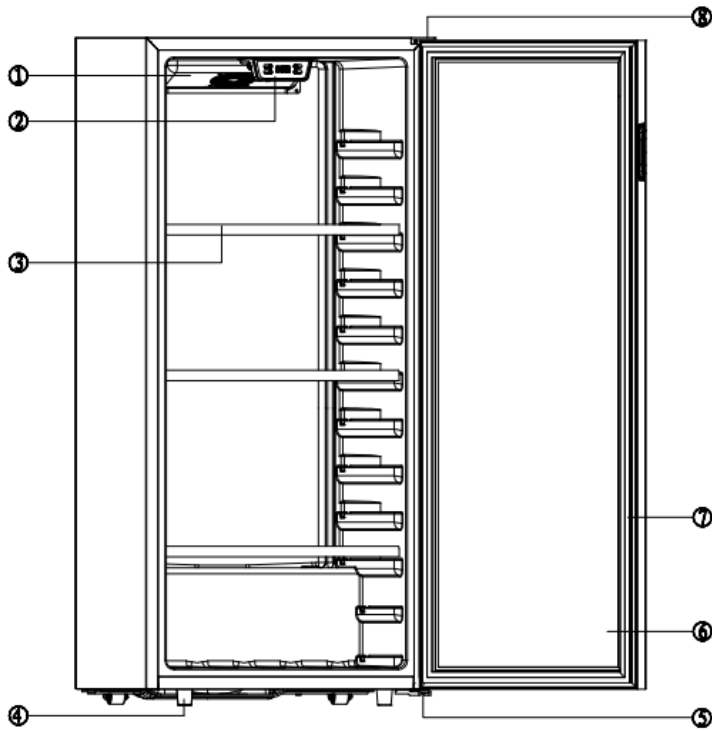
1	Fan
2	Control panel and LED light
3	Shelf
4	Feet
5	Lower hinge
6	Door
7	Gasket
8	Upper hinge

Model CC54DB:



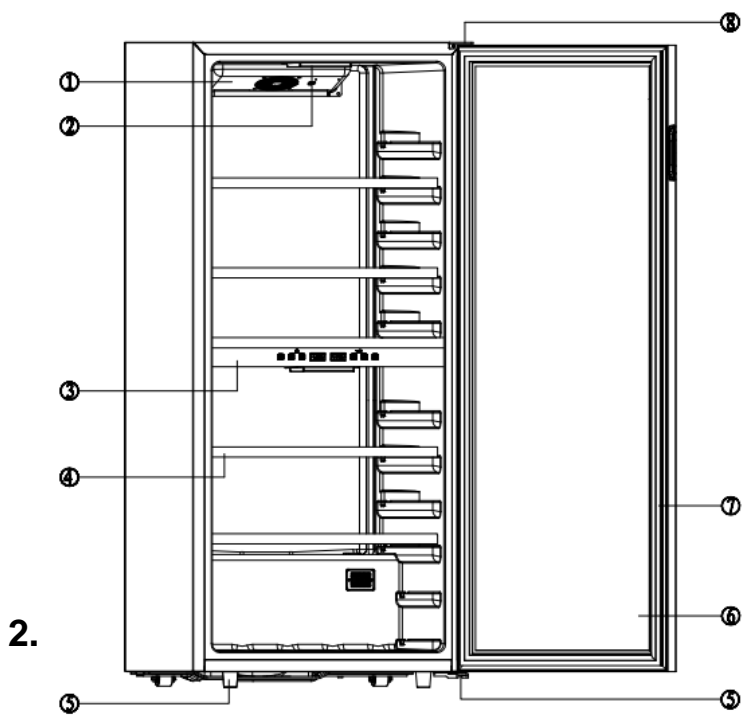
1	Fan
2	LED light
3	Shelf
4	Control panel
5	Feet
6	Lower hinge
7	Door
8	Gasket
9	Upper hinge

Model CC102SB:



1	Fan
2	Control panel and LED light
3	Shelf
4	Feet
5	Lower hinge
6	Door
7	Gasket
8	Upper hinge

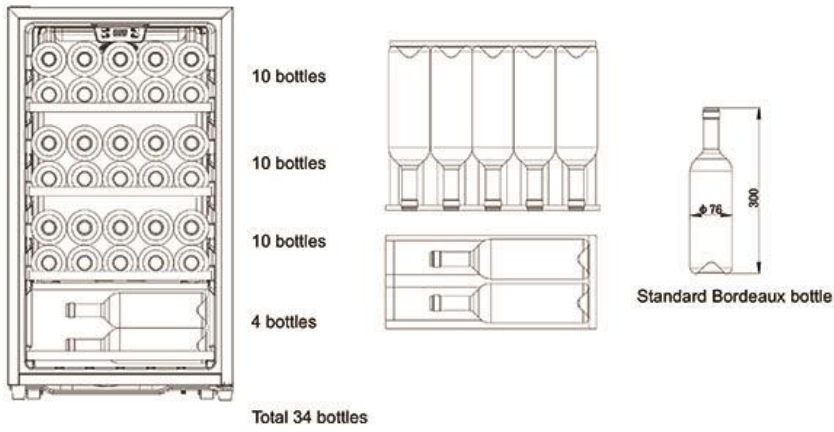
Model CC102DB:



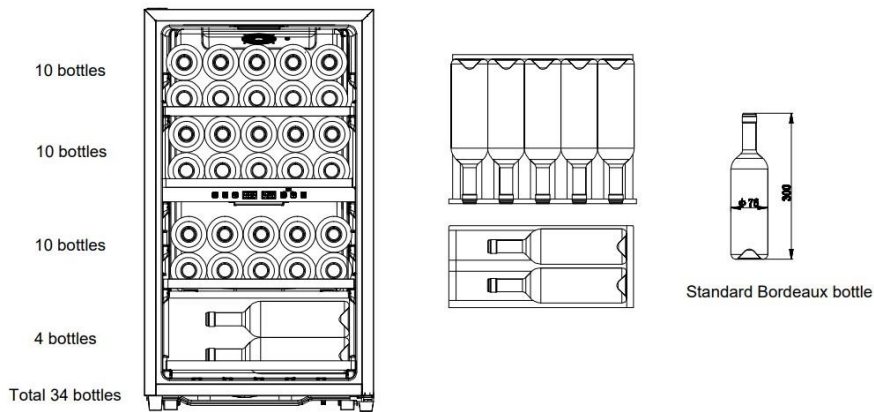
1	Fan
2	LED light
3	Shelf
4	Control panel
5	Feet
6	Lower hinge
7	Door
8	Gasket
9	Upper hinge

BOTTLE LOADING CAPACITY

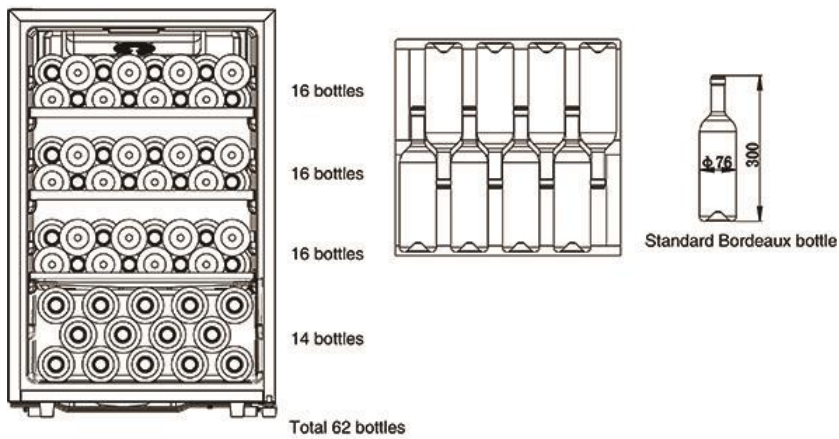
CC34SB



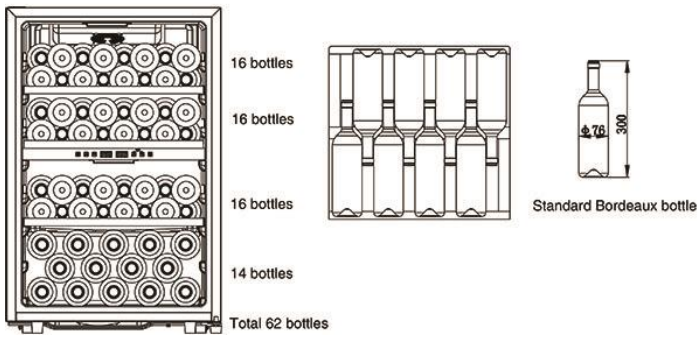
CC29DB



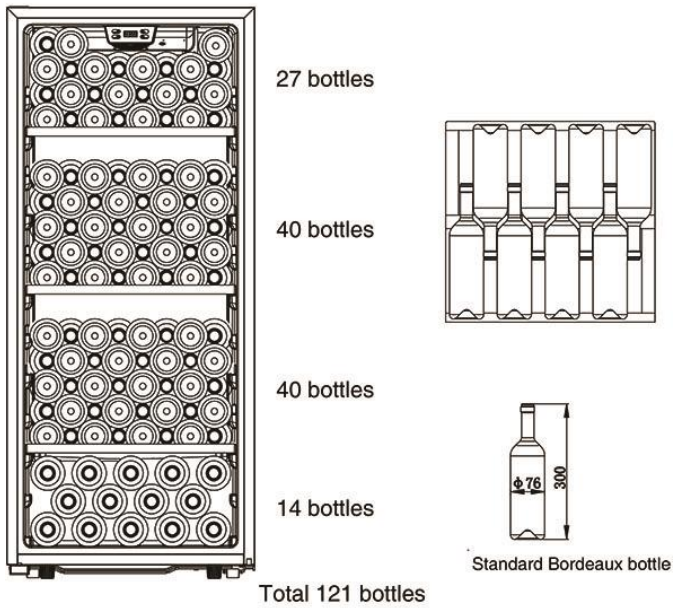
CC62SB



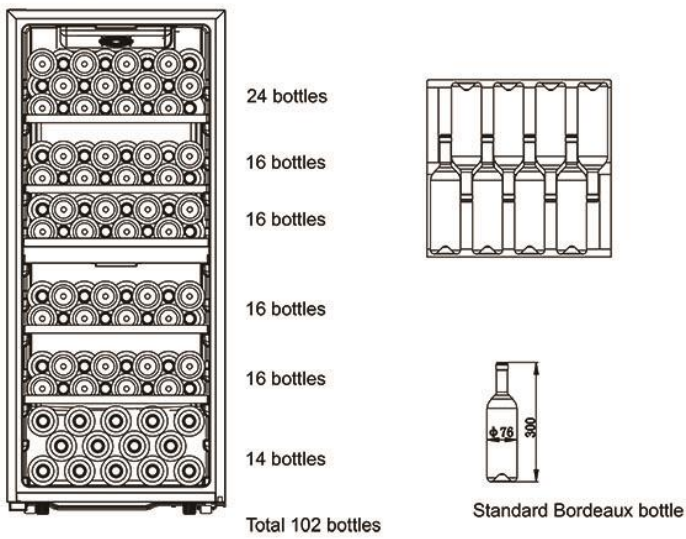
CC54DB



CC102SB



CC102DB



Before using your wine cooler:

- Remove inner and outer packaging.
- Before connecting the appliance to the electrical socket, leave it in position for 24 hours. This will reduce the possibility of malfunction of the refrigeration circuit due to transport.
- Clean the inside using a soft cloth and lukewarm water.

Using your wine cooler:

Your wine cellar must be positioned in a room with an ambient temperature between 16 and +38°C.

If the ambient temperature is higher or lower, the performance of your appliance may be affected and it may not be possible to obtain designed temperatures.

For model CC34SB/CC62SB/CC102SB, designed temperature is 5-20°C.

For model CC29DB/CC54DB/CC102DB, design temperature is 5-12°C for the upper zone and 12-18°C for the lower zone.

Installing your wine cooler:

- This wine cellar is designed for free-standing installation.
- Position it in a place with sufficient strength to support its weight when loaded. To ensure that it is level adjust the height of the feet underneath.
- To get the best from your appliance with the lowest energy consumption, do not place the appliance close to a heat source (heater, cooker, etc.), do not expose it to direct sunlight, and do not place it in a room which is too cold.
- Connect the appliance to a single socket, leaving a 50 mm gap between the back of the cellar and the side wall. Be careful to support it, so that your wine cooler is perfectly level. This will prevent any movement due to instability, generating noise and vibration, and will ensure that the door seals perfectly.

Control panel:

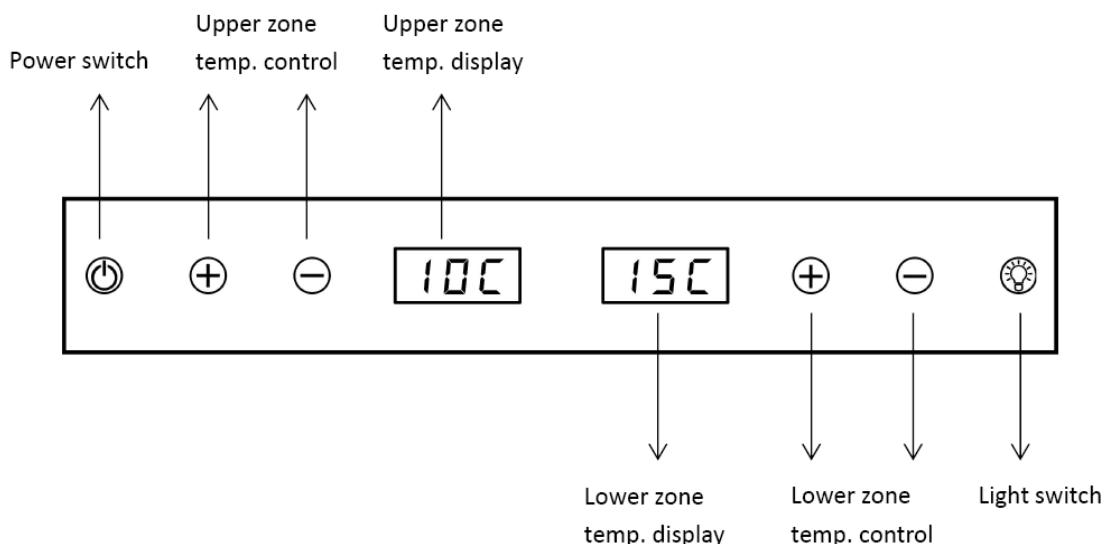
Model CC34SB/CC62SB/CC102SB:







Temperature range is 5-20°C.

- Press ON/OFF button to turn on the appliance and press ON/OFF for 3 seconds to turn off the appliance.
- Press temperature control button “UP” and “DOWN” together for 3 seconds to change the LED display from Celsius to Fahrenheit.
- You can set the desired temperature by pressing the “UP” or “DOWN” button.
- The temperature selected will increase/decrease by 1°C with each press of the buttons.
- Press LIGHT button to turn on or turn off the light.

Model CC29DB/CC54DB/CC102DB:



These models have two zones, and the temperature range for upper zone is 5-12°C and lower zone is 12-18°C.

- Press power switch button  for 3 seconds to turn on or turn off the appliance.
- Press light button  to turn on or turn off the light in both zones.
- Press lower zone temperature control button  and  together for 3 seconds to change the LED display from Celsius to Fahrenheit.

- You can set the desired temperature by pressing **+** or **-** of each zone.

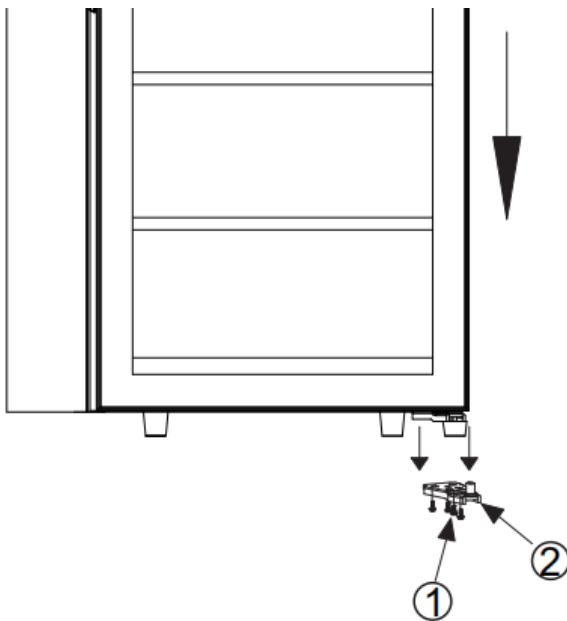
The temperature selected will increase/decrease by 1°C with each press of the buttons.

Door Reverse:

The door of this appliance is reversible, the door is set to be hinged right at purchase, you can change it to the left by following the instructions below, please note that the accessory of the left upper hinge for reversing the door is packed with the instruction manual. Keep it in case you need to reverse the door.

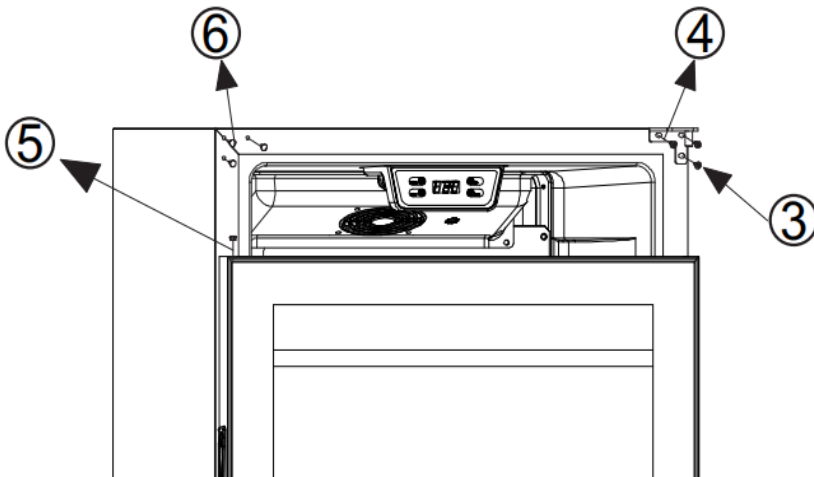
(1) Close the door

(2) Unscrew ① and remove the lower hinge ②, then take down the door.

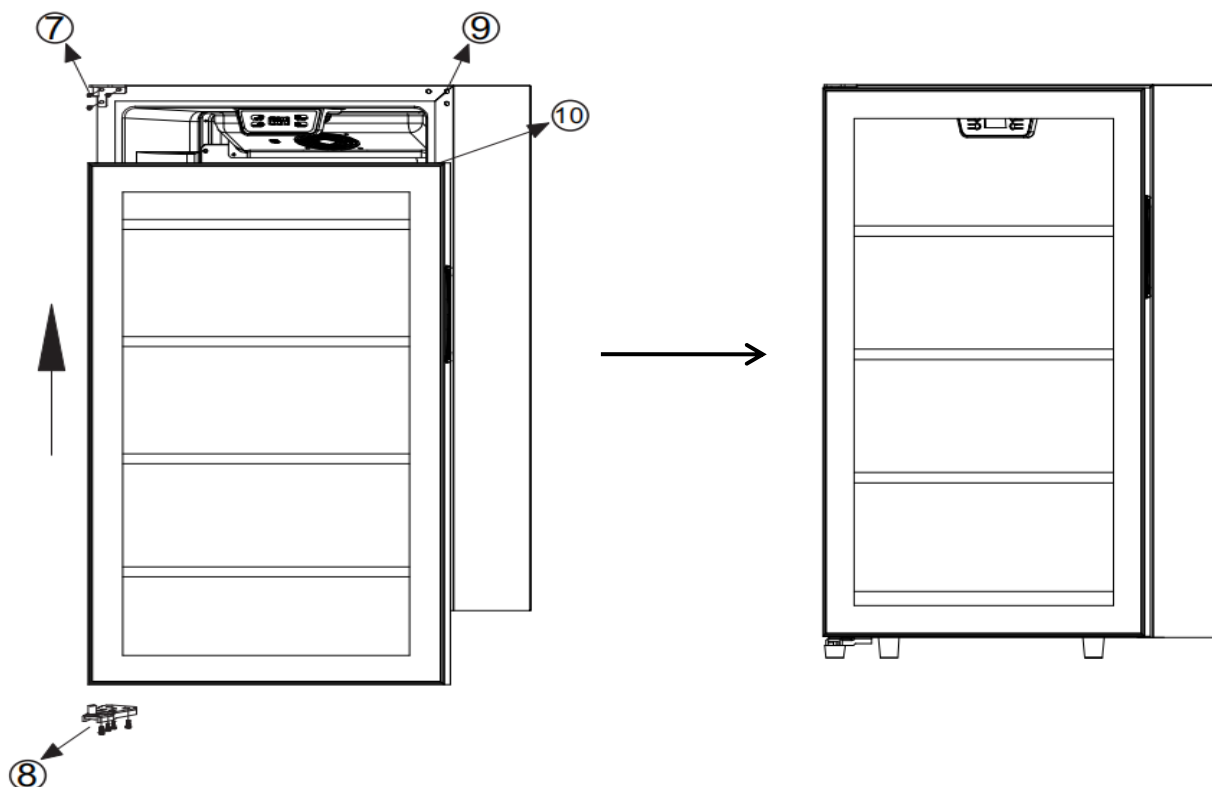


(3) Unscrew ③ and remove the right side upper hinge ④.

(4) Remove hinge shaft hole cover ⑤, remove left upper hinge hole cover ⑥



- (5) Install the left side upper hinge (7).
- (6) Install the door aligned with pivot.
- (7) Install left side lower hinge (8).
- (8) Cover the right hinge hole (9), cover right door shaft hole (10) with black cap to finish the door reverse.



EQUIPMENT

The climate control system

According to advice from specialists, the ideal temperature for storing wine is around 12°C, within a bracket of 10 to 14°C. Do not confuse this with service temperature, which varies between 5 and 20°C, depending on the specific nature of the wine.

It is especially important to avoid sudden changes in temperature. Designed by specialists for oenophiles, this appliance, unlike a simple refrigerator, takes into account the sensitivity of grand cru wines to sudden variations in temperature by ensuring the close control of a constant average temperature.

The anti-vibration system:

The refrigeration compressor is equipped with special dampers (silent blocks) and the inner space is insulated from the body by a thick layer of polyurethane foam. These characteristics prevent the

transmission of vibration to your wines.

Defrosting:

Your appliance is equipped with an automatic defrost cycle. When a cooling cycle finishes, the appliance's refrigerated surfaces are defrosted automatically. The defrost water is channeled into a condensates evaporation tray which is located in the back of the appliance near the compressor. The heat produced by the compressor then evaporates the condensates collected in the tray.

LOADING

The maximum recommended loading quantities for bottles are given as guidelines and are indicative only; they provide a quick estimate of the size of the appliance (similar to the capacity of a refrigerator expressed in litres).

They correspond to tests conducted with a standard bottle: the standard "75 cl light Bordeaux" bottle - standards apply the geographical origin of each bottle shape (Bordeaux, Burgundy, Provence, etc.) and a type (traditional, heavy, light, flute, etc.), each with its own diameter and height.

In reality and in extreme cases, you could store more bottles by stacking the same type of bottle without using shelves, but a varied cellar comprises a wide variety of bottles and the practical aspect of everyday cellar management limits its capacity. You will therefore probably load the appliance a little less than the recommended maximum.

MAINTENANCE

Before cleaning your appliance (something to be done regularly), disconnect it by removing the plug or by pulling the fuse on the circuit.

Before using your appliance for the first time and regularly after that, we recommend that you clean the inside and outside (front, sides and top) with warm water mixed with a mild cleaning product. Rinse with clean water and allow to dry before reconnecting. Do not use solvents or abrasives.

Wash the plastic coating on the steel shelves with a mild detergent solution and then dry with a soft cloth.

Wooden shelves require no particular maintenance.

When the appliance is switched on for the first time, there may be a residual odour. In that case, run the appliance empty for a few hours at the lowest possible temperature. The cold will kill any odour.

STORING YOUR WINE COOLER

If you will not be using your appliance for shorter periods of time, leave the control panel with its usual settings.

During an extended shutdown:

- Remove all bottles from the appliance.
- Unplug the appliance.
- Thoroughly clean the inside and outside of the appliance.
- Leave the door open to prevent condensation, unpleasant odours and mould.

WHAT TO DO IN THE EVENT OF A POWER CUT

Most power cuts are resolved within a short time. A power cut of 1 or 2 hours will not affect the temperature in your cellar. To protect your wines during a power cut, avoid opening the door as much as possible.

During very long power cuts, take the necessary measures to protect your wine.

-If the appliance is disconnected or if there is a power cut, you must wait three to five minutes before re-starting. If you try to re-start before this time, the compressor will only re-start after 3 to 5 minutes (if the temperature requires).

-When switching on for the first time or following a prolonged shutdown, it is possible that when re-starting, the temperatures selected and those displayed are not the same. This is normal. It will take a few hours before they stabilize.

IF YOU NEED TO MOVE YOUR WINE COOLER

First, disconnect your appliance.

Remove all bottles and secure any loose parts.

To avoid damaging the levelling screws on the feet, screw them tightly into the base.

Move the appliance in an upright position (preferably) or note the direction in which the appliance may be laid down by looking at its packaging.

IN THE EVENT OF A BREAKDOWN

Despite the care we take during production, a breakdown can never be totally ruled out. Before contacting your retailer's after-sales department, please check that:

1. The appliance is properly plugged in.
2. There is not a power cut in progress.
3. The breakdown is not one of those described in the table at the end of this manual.

IMPORTANT:

If the mains cable supplied is damaged, it must be replaced by the manufacturer, a center approved by the brand or by the retailer. In all cases, it must be replaced by qualified personnel, so as to avoid any risk of injury.

IF THESE CHECKS REVEAL NOTHING, THEN CONTACT YOUR RETAILER'S AFTER-SALES DEPARTMENT.

CAUTION!

Unplug the appliance before carrying out any maintenance or repair work.

PROBLEMS AND SOLUTIONS

You can solve many simple problems with your wine cooler yourself, thus avoiding having to contact your after-sales department. Try the following suggestions.

PROBLEM	POSSIBLE CAUSES
<i>Appliance is not running</i>	<p><i>Appliance is not plugged in.</i></p> <p><i>Appliance is not turned on.</i></p> <p><i>Check if voltage of the installation.</i></p> <p><i>Check the circuit breaker or if fuse has blown.</i></p>
<i>Appliance is not cold enough</i>	<p><i>Check the temperature control setting.</i></p> <p><i>Check if ambient temperature is beyond appliance operating temperature.</i></p> <p><i>The door is opened too frequently.</i></p> <p><i>The door is not closed properly.</i></p> <p><i>The door is not sealing properly.</i></p> <p><i>Insufficient free space around the appliance.</i></p>
<i>The compressor starts and stops frequently</i>	<p><i>The external temperature is high.</i></p> <p><i>A large quantity of bottles has been put into the cellar.</i></p> <p><i>The appliance is opened frequently.</i></p> <p><i>The door is not properly closed.</i></p> <p><i>The cellar has not been correctly set.</i></p>
<i>LED lights do not operate</i>	<p><i>The appliance is not plugged in.</i></p> <p><i>The fuse has blown.</i></p> <p><i>LED lights are not broken.</i></p> <p><i>The light switch is off.</i></p>
<i>Vibration</i>	<i>Check and ensure that the appliance is level.</i>
<i>The appliance makes a lot of noise</i>	<p><i>A noise resembling circulating water is produced by the coolant gas and this is normal.</i></p> <p><i>At the end of a cooling cycle, you can hear the noise of water circulating.</i></p> <p><i>Expansion and contraction of the internal walls may cause a cracking sound.</i></p> <p><i>The appliance is not level.</i></p> <p><i>Check if fan is in good condition.</i></p>
<i>The door does not close properly</i>	<p><i>The appliance is not level.</i></p> <p><i>The door seal is dirty or damaged.</i></p> <p><i>The shelves are not positioned correctly.</i></p> <p><i>A part of the contents is preventing the door from closing.</i></p>
<i>LED display is not working properly</i>	<p><i>Control panel failed.</i></p> <p><i>Power PCB has broken.</i></p> <p><i>The appliance is not plugged in.</i></p> <p><i>The probe is not working.</i></p>

ENVIRONMENT

This product complies with EU WEEE Directive 2002/96/EC.



The crossed-out waste bin symbol on this appliance means that, at the end of its life, the appliance should be recycled separately from other domestic waste.

It should therefore be disposed of at a selective collection center for electrical and/or electronic appliances or, if you are buying an equivalent product, by the retailer of the new product.

The user is responsible for taking the appliance to the appropriate collection center at the end of its useful life. Selective and appropriate collection for the recycling of no-longer-used appliances and their disposal and destruction in an environmentally friendly manner helps to prevent potential negative effects on the environment and health and encourage the recycling of materials used to make the product.

For more detailed information about available collection systems, contact your local waste collection organization or the retail outlet where you bought the product.

WARNING

Since we make continuous improvements to our products, we reserve the right to modify technical characteristics without notice.

Warranties for our brand products are offered exclusively by selected retailers. No part of these instructions may be considered as a supplementary warranty.

We cannot be held liable for errors or technical or editorial omissions in this document.

Non-binding document.

APPENDIX 1

Model	CC34SB	CC29DB	CC62SB	CC54DB	CC102SB	CC102DB
Supply	220-240V/50Hz	220-240V/50Hz	220-240V/50Hz	220-240V/50Hz	220-240V/50Hz	220-240V/50Hz
Product Dimensions (WXDXH)mm	480×430×508	480×430×850	480×565×850	550×565×850	550×565×1277	550×565×1277
Net Weight (kg)	28	30	34	36.5	53	55
Energy efficiency class	A	A	A	B	B	B
Energy consumption/24h	0.389kWh/24h	0.389kWh/24h	0.406kWh/24h	0.521kWh/24h	0.586kWh/24h	0.581kWh/24h
Energy consumption/year	142 kWh/year	141 kWh/year	148 kWh/year	190 kWh/year	214 kWh/year	212 kWh/year
Defrosting	Automatic	Automatic	Automatic	Automatic	Automatic	Automatic
Climate class	ST	ST	T	ST	T	ST
Acoustic emissions in air in dB(A) re 1pW	42 dB	40 dB	41 dB	44 dB	43 dB	42 dB
Installation type	Free standing	Free standing	Free standing	Free standing	Free standing	Free standing

This appliance is intended exclusively for the storage of wine

Brugsanvisning
Cavecool vinkøleskab
CC34SB/CC29DB
CC62SB/CC54DB
CC102SB/CC102DB



cavecool
WINE COOLING UNITS

Læs denne vejledning og sikkerheds-henstillingerne, før ibrugtagning.

Vi ønsker Dem tillykke med Deres nye vinkøleskab, og håber, at det vil leve op til Deres forventninger.

Dette vinkøleskab vil gøre Dem i stand til sikkert at opbevare Deres vin ved den ønskede temperatur.

GENERELLE SIKKERHEDSINFORMATIONER

For Deres sikkerhed og nemmeste ibrugtagning, bør De læse denne manual grundigt inden ibrugtagning, inklusive advarsler og henstillinger, før de installerer og tilslutter apparatet, og benytter det første gang. For at undgå skader, bør alle som benytter apparatet sætte sig ind i brug, råd og advarsler. Opbevar denne manual i nærheden af apparatet, til eventuelle fremtidige opslag, hvis det bliver solgt eller flyttet.

Sikkerhed for børn

- Vi anbefaler, at vinkøleskabet ikke betjenes af børn.
- Hold børn væk fra pakkematerialerne, da der kan være fare for kvælning og indespærring.
- Før de smider deres gamle hvidevarer væk, bør de fjerne dørene og lade hylderne sidde i, for at undgå at børn kravler ind.
- Lad ikke børn lege med stik eller ledninger.

Generelle sikkerhedsråd

BEMÆRK — Dette vinkøleskab er kun til hjemmebrug

BEMÆRK — Opbevar aldrig brandbare væsker, trykbeholdere eller lignende inde i skabet.

BEMÆRK — Er der brud på stik eller ledninger bør de omgående udskiftes af kvalificeret personale.

BEMÆRK — Vær opmærksom på ikke at blokere skabets ventilationsriste, at der er tilstrækkelig ventilation, specielt hvis skabet indbygges.

BEMÆRK — Vær opmærksom på ikke at beskadige kølecirkulation, rør og kompressor.

BEMÆRK — Benyt ikke andre elektriske apparater inde i vinkøleskabet.

BEMÆRK — Apparatet indeholder brandfarlige materialer og må kun bortskaffes på den nærmeste genbrugsstation.

BEMÆRK — Af sikkerhedsmæssige årsager og for at sikre vinkøleskabets optimale funktion skal alle vinkøleskabe have jordforbindelse og stå i perfekt vater på alle ledder og kanter.

ADVARSEL: Brandfare

I tilfælde af brud på kølesystemet rør eller kompresser, kan der sive brandfarlige gasser ud:

- undgå åben ild.
- udluft lokalet grundigt
- skader på stik og ledninger kan medføre kortslutning, og brandfare.

Elektrisk sikkerhed

- Check, at stik og stikkontakt ikke er beskadigede, da det kan medføre brandfare.
- Træk aldrig i ledninger eller tilslutninger.
- Hvis stik eller stikkontakt ikke er monteret korrekt, er der fare for kortslutning og brand.
- Benyt ikke apparatet, hvis lysafskærmningen inde i skabet er itu.
- Sluk for strømmen inden De skifter pærer.
- Dette apparat virker ved tilslutning til 220~240 V / 50 Hz
- Reparer aldrig en beskadiget ledning, men kontakt kvalificeret personale for udskiftning.
Hvis De er i tvivl om installation bør kvalificeret personale tilkaldes.

Daglig brug:

- Opbevar ikke brandbare væsker eller trykbeholdere inde i skabet, da der er fare for eksplosion og brand.
- Benyt ikke andre elektriske apparater inde i skabet (håndmixere, ismaskiner og andre elektriske apparater)
- Træk ikke i ledningen, men tag stikket ud.
- Vinkøleskabet bør ikke stå i direkte sollys, da det vil påvirke køleevnen.
- Hold apparatet væk fra stearinlys, og åben ild, af hensyn til brandfare.
- Dette apparat er beregnet til opbevaring af vin og andre drikkevarer.
- Dette apparat er tungt, vær forsigtigt når det flyttes.
- Hvis Deres apparat har hjul, husk de er kun til mindre flytninger, og ikke til længere afstande.
- Læn dem ikke op af vinkøleskabet. Sid eller stå ikke på skabet.
- For at undgå faldende ting, pas på ikke at overbelaste skabet eller hylder.

Advarsel! Rengøring og vedligeholdelse

- Før rengøring bør De slukke for strømmen og trække stikket ud.
- Ved rengøring må der ikke benyttes metalgenstande, dampapparater, skrappe rengøringsmidler, opløsningsmidler eller lignende.
- Brug ikke skarpe eller spidse genstande til at fjerne is.

Vigtige informationer vedrørende installering

- Vær opmærksom på, at husets elektriske installationer er lovlige og følg råd og vejledning i denne manual.
- Ved udpakning bør De sikre Dem, at der ikke er synlige skader på apparatet.
- Vi anbefaler at De ikke tilslutter apparatet før det har stået i rumtemperatur i mindst 4 timer.
- Husk at tilsikre nødvendig luftcirkulation omkring skabet for at undgå overophedning.
- For at undgå overophedning og brandfare, må apparatet ikke være i kontakt med vægge eller skabssider.
- Apparatet må ikke placeres tæt på radiatorer, ovne, komfurer eller andre varmekilder.
- Vær sikker på, at De kan slukke for strømmen, når skabet er installeret.
- Tilslut vinkøleskabet til en stikkontakt med jordforbindelse. Ethvert spørgsmål angående el bør rettes til en autoriseret elinstallatør.

Spar på strømmen

For at spare på strømmen bør De følge nedenstående råd:

- Installér apparatet korrekt, og med rigelig ventilation omkring.
- Åbn dørene så lidt og så sjældent som muligt.
- For at sikre normal drift, bør de rengøre kondensbakken regelmæssigt.
- Rengør og undersøg dørens gummilister regelmæssigt, for at tilsikre, at de slutter normalt til, da de ellers bør udskiftes.

Problemløsning

- Alt elektrisk arbejde bør kun udføres af kvalificeret personale, og kun originale dele må benyttes.

Dette apparat er kun til hjemmebrug, og vi påtager os ikke ansvaret for anden brug.

Dette apparat lever op til alle krav i forbindelse med

følgende CE-standarder:

1907/2006 (REACH)

2011/65/EU (ROHS)

2006/95/EC relating to electrical safety

2004/108/EC relating to electro-magnetic compatibility

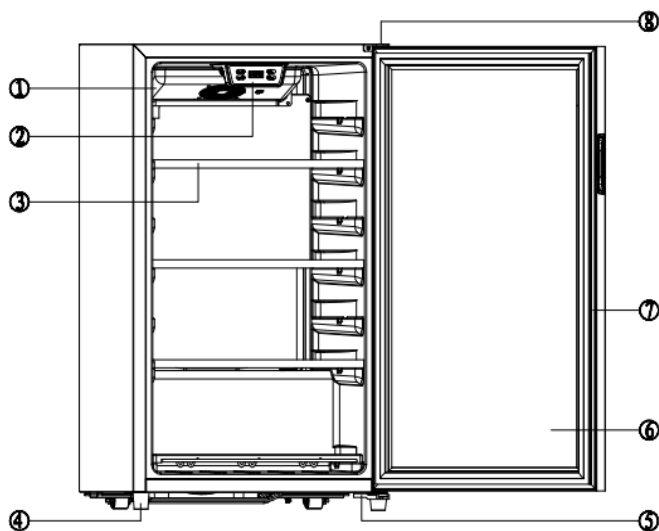
2008/48 relating to electro-magnetic fields

2010/30 and 1060/2010 relating to energy labels



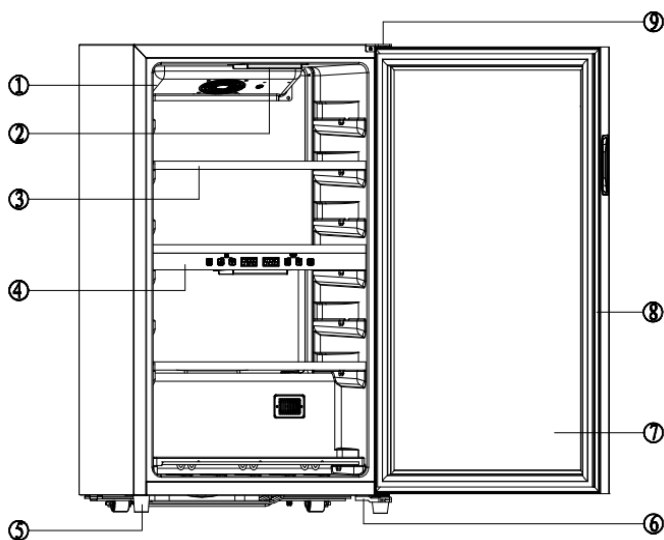
Beskrivelse

Model CC34SB:



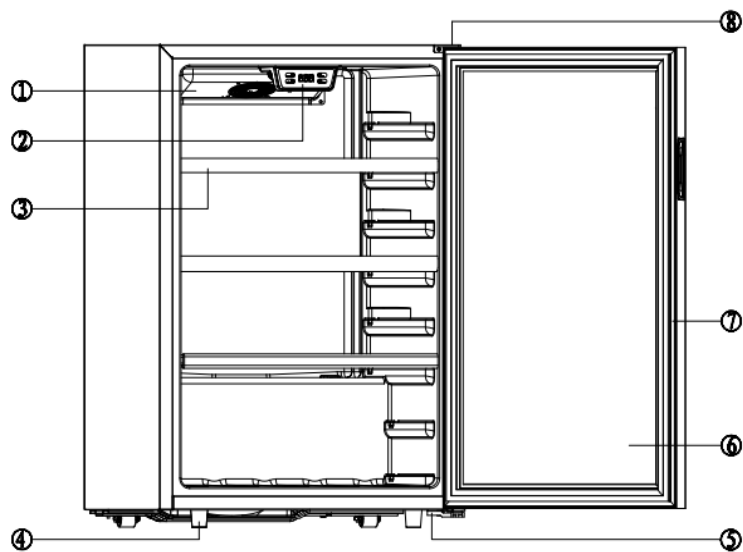
1	Ventilator
2	Kontrolpanel og LED lys
3	Hylde
4	Fødder
5	Nederste hængsel
6	Dør
7	Tætningsliste
8	Øverste hængsel

Model CC29DB:



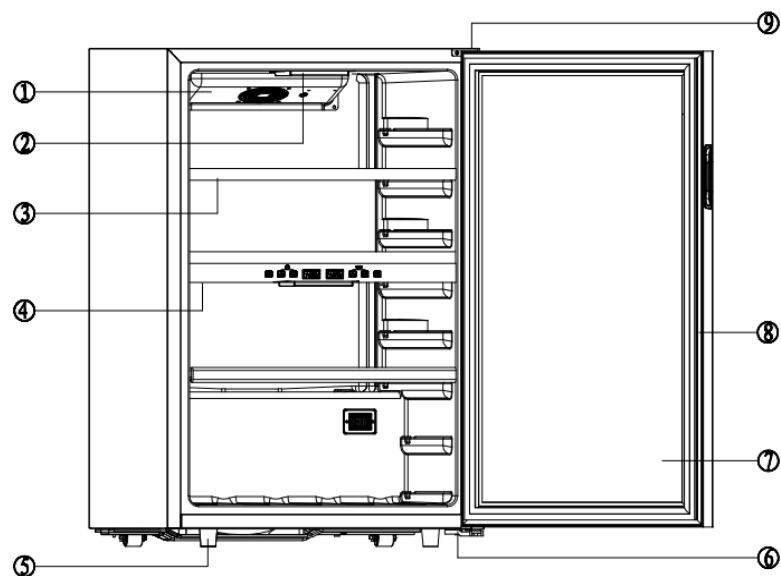
1	Ventilator
2	LED lys
3	Hylde
4	Kontrolpanel
5	Fødder
6	Nederste hængsel
7	Dør
8	Tætningsliste
9	Øverste hængsel

Model CC62SB:



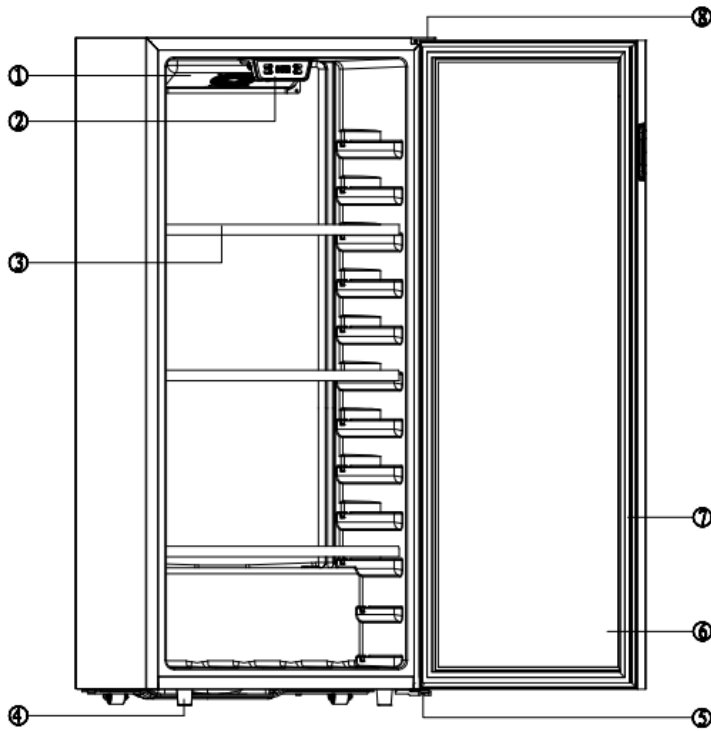
1	Ventilator
2	Kontrolpanel og LED lys
3	Hylde
4	Fødder
5	Nederste hængsel
6	Dør
7	Tætningsliste
8	Øverste hængsel

Model CC54DB:



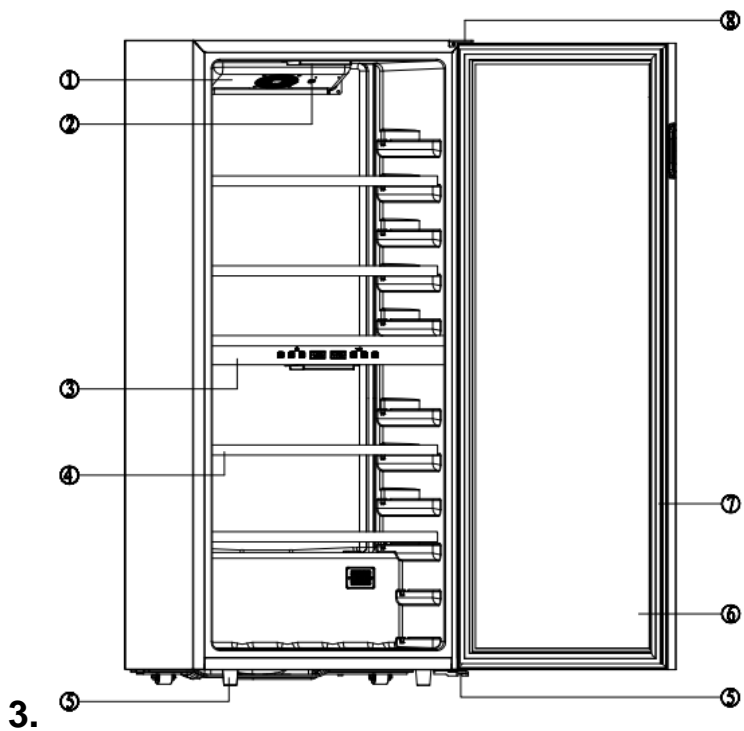
1	Ventilator
2	LED lys
3	Hylde
4	Kontrolpanel
5	Fødder
6	Nederste hængsel
7	Dør
8	Tætningsliste
9	Øverste hængsel

Model CC102SB:



1	Ventilator
2	Kontrolpanel and LED lys
3	Hylde
4	Fødder
5	Nederste hængsel
6	Dør
7	Tætningsliste
8	Øverste hængsel

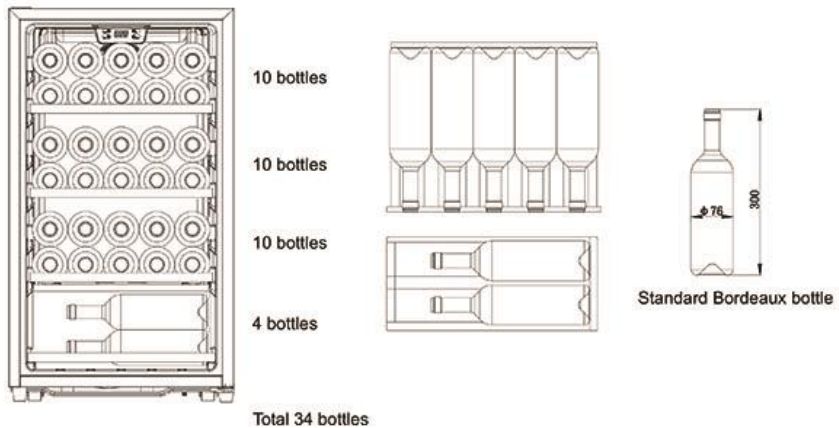
Model CC102SB:



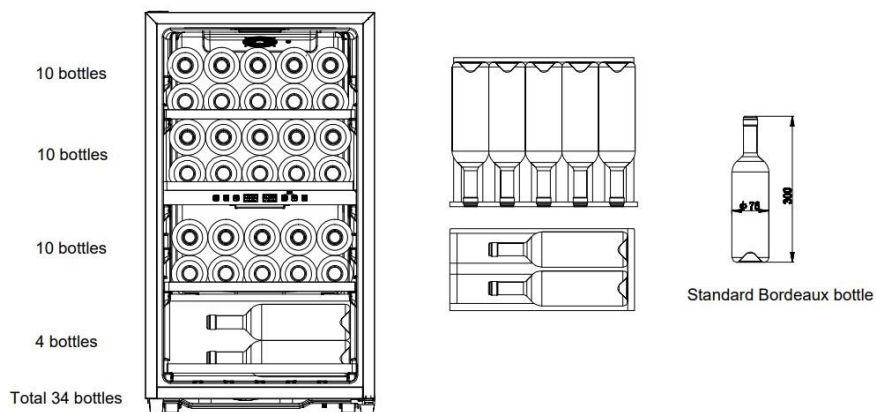
1	Ventilator
2	LED lys
3	Hylde
4	Kontrol panel
5	Fødder
6	Nederste hængsel
7	Dør
8	Tætningsliste
9	Øverste hængsel

Opbevaringskapacitet

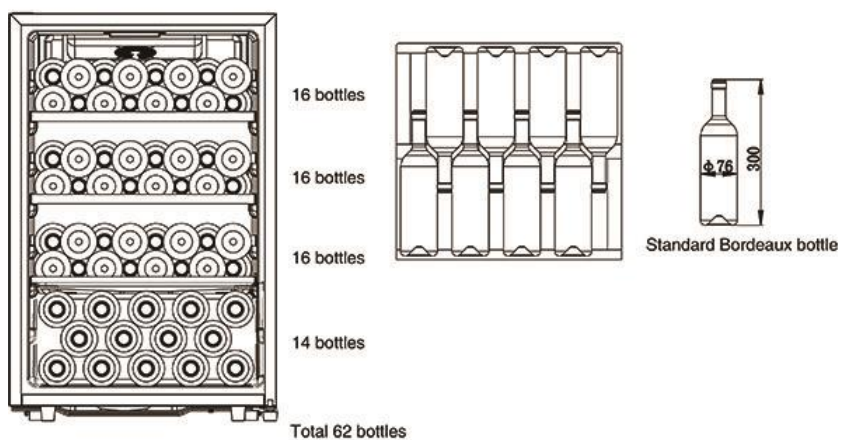
CC34SB



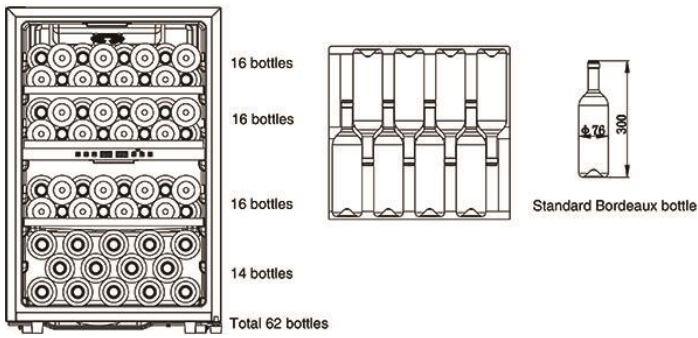
CC29DB



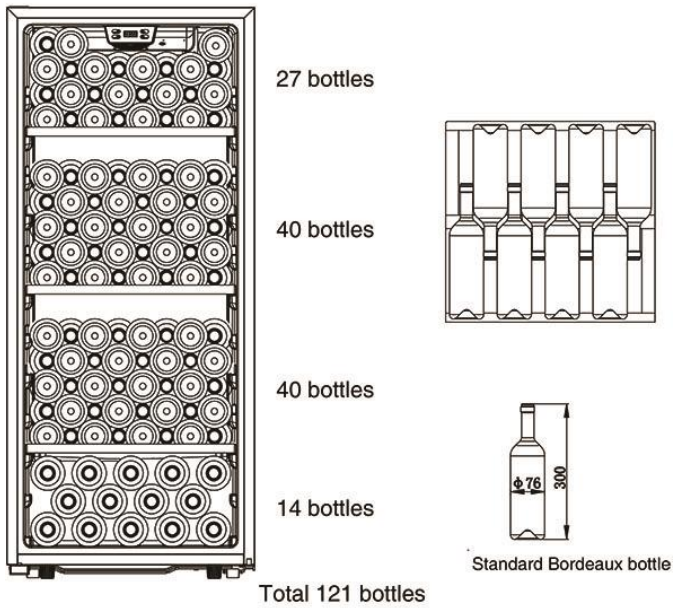
CC62SB



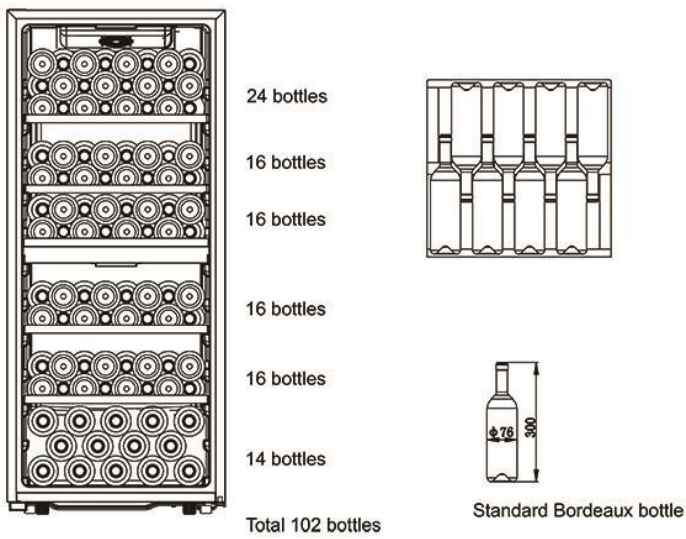
CC54DB



CC102SB



CC102DB



Før ibrugtagning af Deres vinkøleskab:

- Fjern udvendige og indvendige pakkematerialer.
- Før tilslutning til strøm bør skabet hvile i mindst 4 timer.
- Rengør skabet med en blød klud og lunkent vand.

Brug af vinkøleskabet:

Deres nye vinkøleskab bør stå i et rum, med temperatur mellem **+16 og +38°C**.

Hvis temperaturen er højere eller lavere, vil funktionen af apparatet blive påvirket, og vil ikke kunne opnå den ønskede skabstemperatur.

Model CC34SB/CC62SB/CC102SB, her kan temperaturen indstilles til 5-20°C.

Model CC29DB/CC54DB/CC102DB, her kan temperaturen indstilles til 5-12°C for øverste zone og 12-18°C for nederste zone.

Installation af vinkøleskabet:

- Dette vinkøleskab er designet til fritstående installation.
 - Stil skabet på et underlag med styrke nok, til at bære det når det er fyldt. Juster fødderne under skabet, så det står lige.
 - For at opnå bedste funktion og laveste energiforbrug, bør apparatet ikke placeres nær varmekilder (ovne, komfur osv.) og bør ikke stå i direkte sollys, eller et rum som er meget koldt.
 - Tilslut apparatet til en stikkontakt, og sørg for 50 mm afstand mellem skabet og væggen.
- Skabet skal stå lige, på et solidt underlag for at sikre at dør og tætningslister fungerer optimalt.

Kontrolpanel:

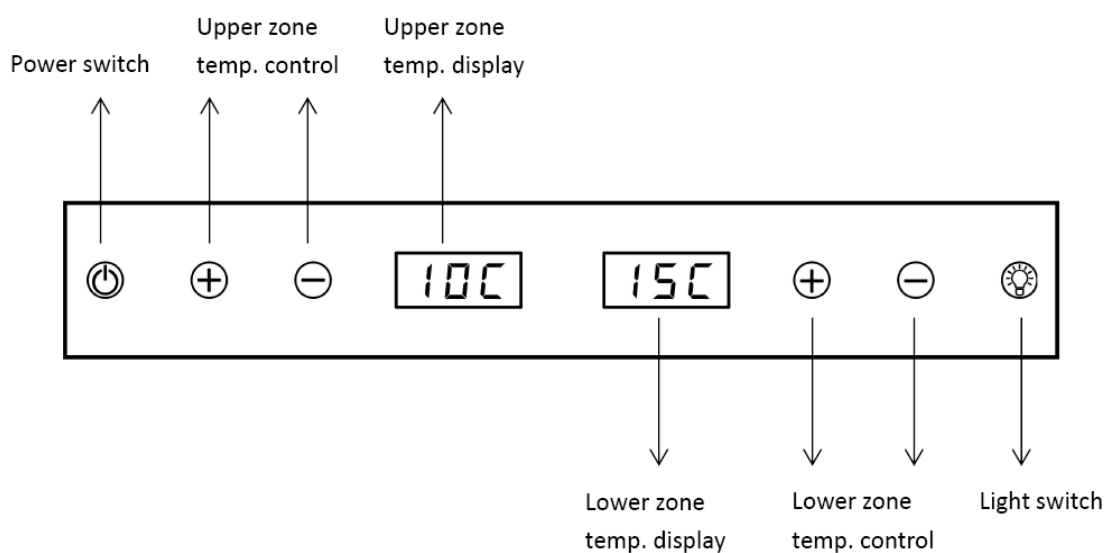
Model CC34SB/CC62SB/CC102SB:









Temperaturen kan justeres mellem 5-20°C.

- Tryk på ON/OFF-knappen for at tænde apparatet, og hold ON/OFF-knappen inde i 3 sekunder for at slukke apparatet.
- Tryk på temperatur-knappen "UP" og "DOWN" samtidigt i 3 sekunder for at ændre LED-displayet fra Celsius til Fahrenheit
- Temperaturen justeres ved trykke på "UP" eller "DOWN" knappen.
Temperaturen vil ændres med 1°C for hvert tryk på knapperne.
- Tryk på LIGHT knappen for at tænde eller slukke lyset.

Model CC29DB/CC54DB/CC102DB:



Disse modeller har 2 kølezoner, og temperaturen kan indstilles til 5-12°C i øverste zone og 12-18°C i nederste zone.

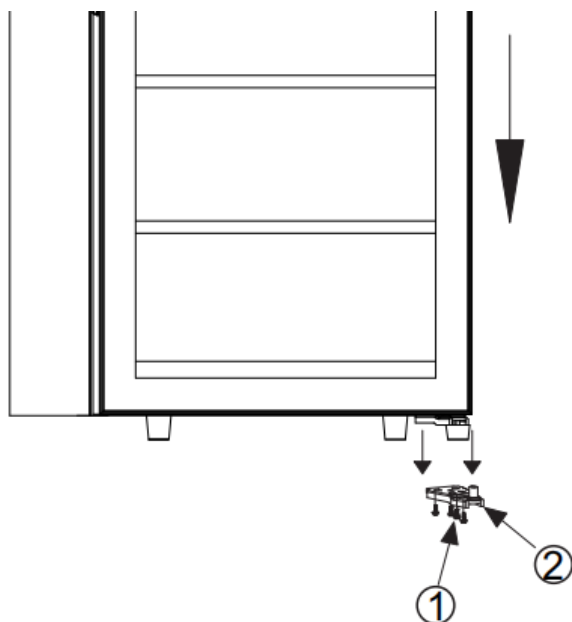
- Tryk på tænd/sluk knappen  i 3 sekunder for at tænde/slukke apparatet.
- Tryk på lys-knap  for at tænde/slukke lyset
- Tryk på nederste og øverste temperatur-knap samtidig i 3 sekunder for at ændre LED-displayet fra Celsius til Fahrenheit.  
- De kan indstille temperaturen ved at trykke på knapperne   i hver zone.
- Hvert tryk vil ændre temperaturen med 1°C.

Vending af dør:

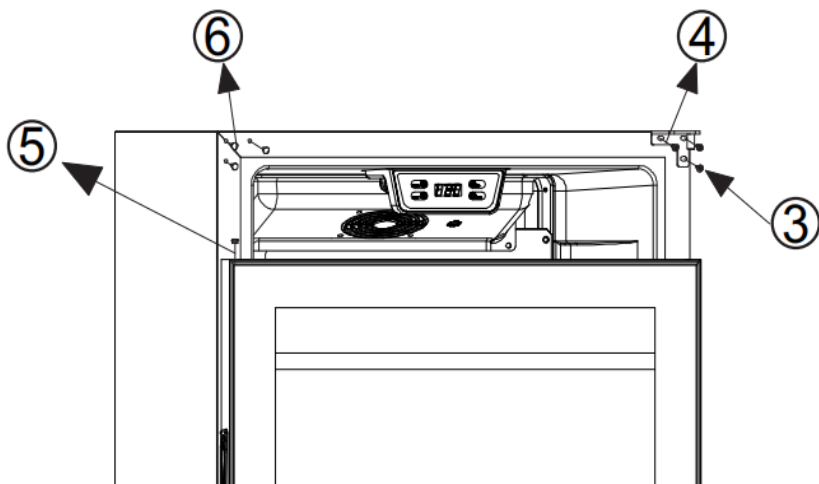
Døren på dette apparat kan vendes. Apparatet leveres med døren højre-hængslet. Døren kan vendes til venstre-hængslet ved at følge nedenstående. Det venstre hængsel er pakket med denne manual. Behold det, hvis det skulle være nødvendigt at vende døren.

(2) Luk døren.

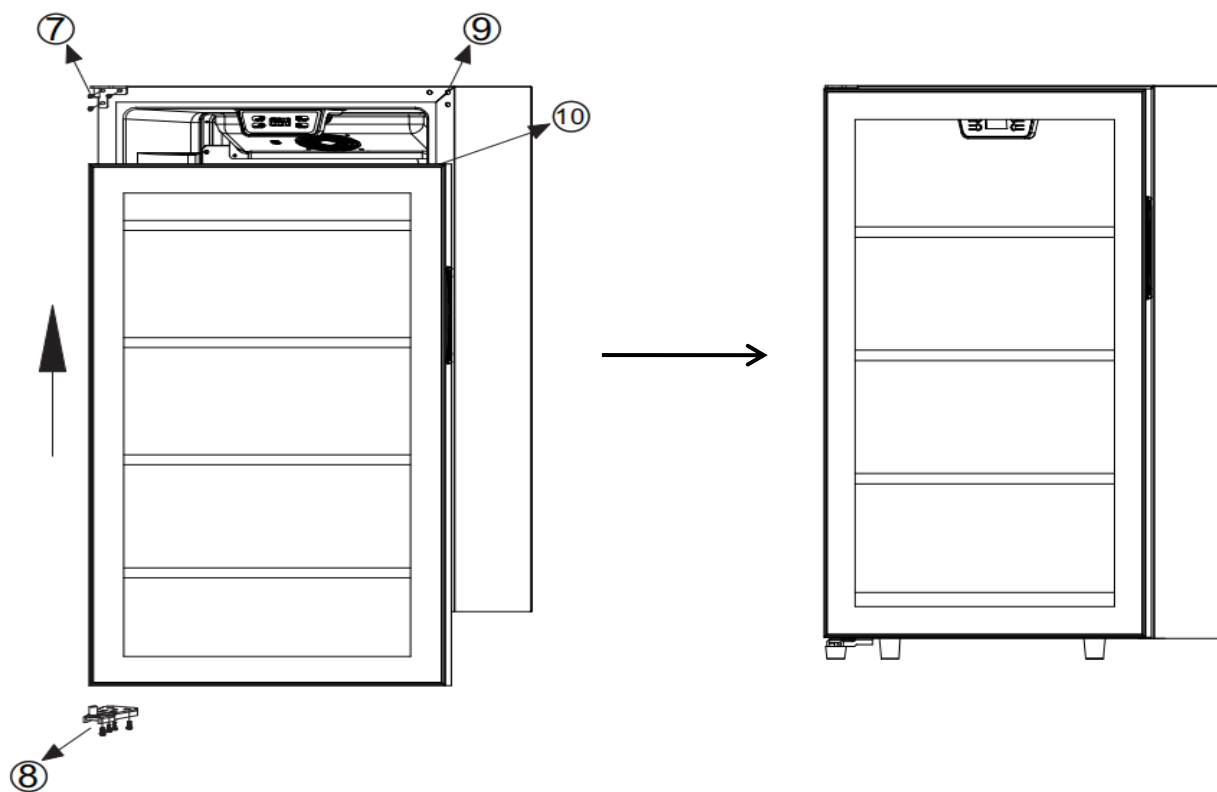
(2) Løsn skruerne ① og fjern det nederste hængsel ② træk døren ned og væk.



- (3) Løsn skruerne (3) og fjern det øverste hængsel i højre side (4).
(5) Fjern proppen til hængsel hul (5) Fjern proppen i øverste venstre hængsel hul (6)



- (5) Installer øverste venstre hængsel (7).
(6) Installer døren.
(7) Installer venstre nederste hængsel (8).
(9) Prop højre hængsel hul (9) Prop højre dør hul (10) med propperne fra højre side.



Udstyr

Klima kontrolsystem

Ifølge specialister, er den ideelle temperatur for opbevaring af vin omkring 12°C, med mulighed for 10 til 14°C. Men ved forskellige vintyper kan skabet indstilles fra 5 til 20°C.

Det er vigtigt at undgå pludselige temperaturudsving. Dette vinskab er designet til at holde en konstant temperatur.

Anti-vibrations system:

Kølekompressoren er udstyret med specielle dæmpere, og alle hulrum er isoleret med skum. Disse tiltag forhindrer overførslen af vibrationer til vinen.

Afisning:

Dette apparat er udstyret med et automatisk afisnings-system. Når køling er i standby, bliver apparatets overflader afiset efter behov. Eventuelt smelte- og kondensvand, overføres automatisk til fordamper-beholderen på bagsiden af skabet i nærheden af kompressoren. Varmen fra kompressoren får vandet til at fordampe løbende.

Fyldning

Det anbefalede antal flasker er udelukkende vejledende; og giver kun et overblik af det estimerede antal flasker, som naturligvis kommer an på størrelsen af de enkelte flasker.

Vinkøleskabets rigtige størrelse er målt i antal liter.

Antallet af flasker er målt i henhold til en standard 75 cl Bordeaux flaske – forskellige distrikter har forskellige flaske størrelser (Bordeaux, Bourgogne, Provence, osv.).

Vedligeholdelse

Før rengøring (som bør foretages regelmæssigt), sluk for strømmen og træk stikket ud.

Før ibrugtagning og regelmæssigt efterfølgende, anbefaler vi rengøring udvendigt og indvendigt (for og bagside, samt top og sider) med varmt/lunkent vand evt. tilsat et mildt rengøringsmiddel med en blød klud. Tør efter med en fugtig klud inden tilslutning. Brug ikke opløsningsmidler eller andre skrappe midler. Tør hylderne af med en fugtig klud. Træhylder kræver ikke nogen særlig behandling.

Første gang apparatet tændes kan der forekomme lugte. Lad apparatet stå tomt i nogle timer på koldeste mulige justering. Kulden vil normalt få lugten til at forsvinde.

Opbevaring af vinkøleskab

Hvis De ikke bruger apparatet i en periode, bør De lade kontrolpanelet stå på den normale indstilling.

Ved længere periode uden brug:

- Fjern alle flasker
- Tag stikket ud af stikkontakten
- Rengør apparatet indvendigt og udvendigt
- Lad døren stå åben, for at undgå lugte og mug.

I TILFÆLDE AF STRØMSVIGT

De fleste strømsvigt varer kun 1-2 timer og vil ikke have den store indflydelse på temperaturen i skabet. For at beskytte Deres vin bør De ikke åbne døren, hvis der er strømsvigt.

-Hvis apparatet har været uden strøm, bør de vente 3-5 minutter før genstart. Bemærk, at kompressoren vil kun genstarte, hvis der er behov for køling.

-Hvis apparatet har været uden strøm, kan kontrolpanelet have glemt temperaturindstillingerne. Dette er helt normalt og kan tage et par timer inden det kommer tilbage til normal.

VED FLYTNING AF DIT VINKØLESKAB

Først, sluk og træk stikket ud af stikkontakten.

Fjern alle flasker, og sikr løse genstande.

For at undgå at beskadige indstillingsfødderne, skru dem stramt ind i soklen.

Flyt apparatet opretstående, se evt. pakningen om i hvilken retning skabet kan vippe.

I TILFÆLDE AF NEDBRUD

I tilfælde af nedbrud, undersøg da følgende før de evt. ringer efter service.

1. Er apparatet tilsluttet strøm
2. Er der strømsvigt i huset eller området.

VIGTIGT:

Hvis ledningen er beskadiget, bør den udskiftes af en autoriseret elinstallatør.


HVIS UNDERSØGELSERNE IKKE LØSER PROBLEMET, SKAL DE KONTAKTE BUTIKKEN, HVOR VAREN ER KØBT.

ADVARSEL!

TRÆK STIKKET UD AF STIKKONTAKTEN INDEN DE REPARER APPARATET

PROBLEMER OG LØSNINGER

De kan selv løse de fleste simple problemer med Deres vinkøleskab. Prøv følgende:

PROBLEM	MULIG ÅRSAG	
APPARATET VIRKER IKKE	<p>Apparatet er ikke sat i stikkontakten.</p> <p>Apparatet er ikke tændt.</p> <p>Check om der er strøm i stikkontakten og om der evt. er sprunget en sikring.</p>	
APPARATET KØLER IKKE NOK	<p>Check temperaturindstillingen.</p> <p>Check om rumtemperaturen er over eller under apparatets ydeevne.</p> <p>Har døren været åbnet for ofte.</p> <p>Er døren lukket ordentligt.</p> <p>Er gummilisten tæt.</p> <p>Er der luft nok omkring apparatet, så det kan komme af med varmen.</p>	
KOMPRESSOREN STARTER OG STOPPER TIT	<p>Rumtemperaturen er for høj.</p> <p>Et større antal flasker er fornyligt lagt ind i skabet.</p> <p>Døren bliver åbnet ofte.</p> <p>Døren er ikke lukket ordentligt.</p> <p>Vinkøleskabet er ikke indstillet korrekt.</p>	
LED-LYSENE VIRKER IKKE	<p>Apparatet er ikke sat i stikkontakten.</p> <p>En sikring er sprunget.</p> <p>Lyskontakten er slukket.</p>	
VIBRATION	<p>Check at apparatet står på et fast underlag og er i vater.</p>	
APPARATET LARMER	<p>En lyd som rindende vand er normalt, det er kølevæsken.</p> <p>I slutningen af en køleperiode, kan man høre lyden af vand.</p> <p>Udvidelser og sammentrækning af kølesystemet er normalt.</p> <p>Apparatet står ikke i vater.</p> <p>Check, at ventilatoren kører som den skal.</p>	
DØREN KAN IKKE LUKKES	<p>Apparatet står ikke i vater.</p> <p>Dørens gummiliste er slidt eller beskidt</p> <p>Hyldeerne sidder ikke korrekt.</p> <p>Noget af indholdet stikker for langt ud, og hindrer døren i at lukke.</p>	
LED-DISPLAY VIRKER IKKE	<p>Kontrolpanelet er i stykker</p> <p>Power knappen er ikke aktiveret</p> <p>Apparatet er ikke sat i stikkontakten</p>	

MILJØ

Dette produkt lever op til EU-standarden WEEE Directive 2002/96/EC.

Det overstregede skraldecontainer symbol på dette apparat, betyder at apparatet kun må bortkaffes ved deres nærmeste genbrugscentral.

APPENDIX 1

Model	CC34SB	CC29DB	CC62SB	CC54DB	CC102SB	CC102DB
Strøm	220-240V/50Hz	220-240V/50Hz	220-240V/50Hz	220-240V/50Hz	220-240V/50Hz	220-240V/50Hz
Produktstørrelse (BXDXH)mm	480×430×508	480×430×850	480×565×850	550×565×850	550×565×1277	550×565×1277
Nettovægt (kg)	28	30	34	36.5	53	55
Energiklasse	A	A	A	B	B	B
Energiforbrug/24t	0.389kWh/24h	0.389kWh/24h	0.406kWh/24h	0.521kWh/24h	0.586kWh/24h	0.581kWh/24h
Energiforbrug/år	142 kWh/år	141 kWh/år	148 kWh/år	190 kWh/år	214 kWh/år	212 kWh/år
Afslusning	Automatisk	Automatisk	Automatisk	Automatisk	Automatisk	Automatisk
Klimaklasse	ST	ST	T	ST	T	ST
Støjniveau dB(A)	42 dB	40 dB	41 dB	44 dB	43 dB	42 dB
Installationstype	Fritstående	Fritstående	Fritstående	Fritstående	Fritstående	Fritstående

Kompressor Weinkühlschrank

Gebrauchsanleitung

CC34SB/CC29DB

CC62SB/CC54DB

CC102SB/CC102DB



cavecool
WINE COOLING UNITS

Bitte lesen Sie diese Gebrauchsanleitung und die Sicherheitshinweise, bevor Sie das Gerät in Betrieb nehmen.

Wir gratulieren Ihnen zum Erwerb Ihres neuen Weinkühlschranks und hoffen, dass er Ihren Erwartungen entspricht.

Dieser Weinkühlschrank wird es Ihnen ermöglichen, Ihren Wein in der gewünschten Temperatur sicher aufzubewahren.

Allgemeine Sicherheitshinweise

Sicherheitsvorschriften



Vorsicht: Nicht die Ventilationsgitter des Geräts blockieren oder verstopfen!

Vorsicht: Nicht explosive Substanzen wie Spraydosen, die leicht entflammbares Gas enthalten, im Gerät aufbewahren!

Vorsicht: Nicht den Kühlkreislauf des Geräts beschädigen!

Vorsicht: Die Kühleinheiten nutzen Isobutan (R600a) und sollten nicht in der Nähe von Zündquellen (beispielsweise elektrische Kontakte, die im Fall eines Lecks durch die Kühlflüssigkeit geschlossen werden könnten) angebracht werden. Die Art der Kühlflüssigkeit ist auf der Geräteplakette vermerkt.

Vorsicht: Nicht andere elektrische Geräte im Inneren des Kühlgeräts verwenden, wenn sie nicht ausdrücklich vom Hersteller hierfür empfohlen sind.

Dieses Gerät erfüllt alle Anforderungen in Verbindung mit folgenden CE-Standards:

1907/2006 (REACH)

2011/65/EU (ROHS)

2006/95/EC (bez. elektrischer Sicherheit)

2004/108/EC (bez. elektromagnetischer Kompatibilität)

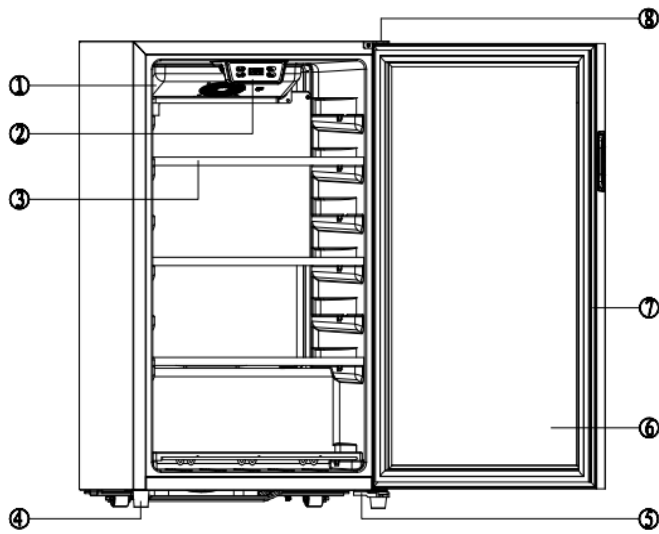
2008/48 (bez. elektromagnetischen Feldern)

2010/30 and 1060/2010 (bez. Energiekennzeichnung)



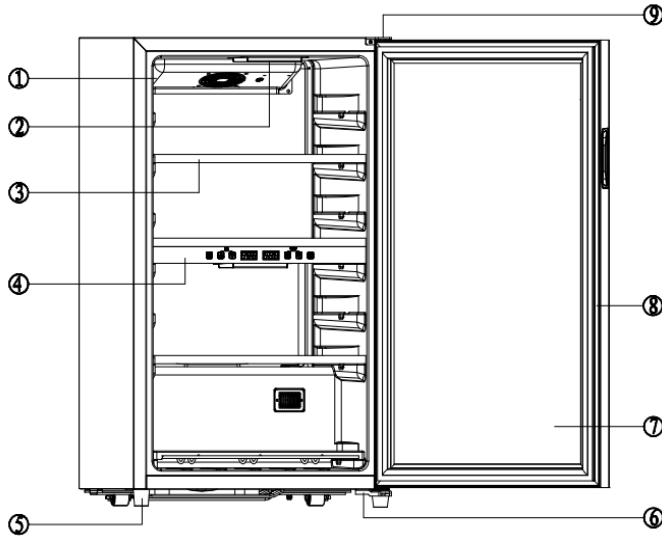
Beschreibung

Modell CC34SB:



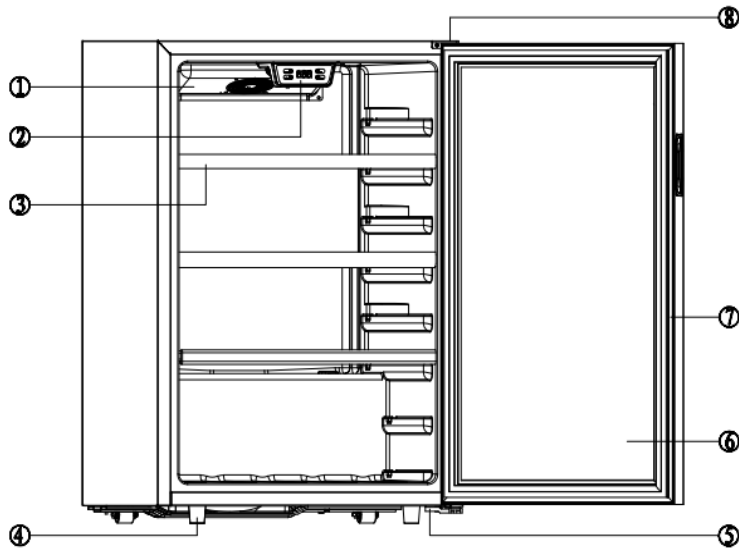
1	Ventilator
2	Schaltfeld und LED-Licht
3	Regal
4	Füße
5	Unteres Scharnier
6	Tür
7	Dichtungsleiste
8	Oberes Scharnier

Modell CC29DB:



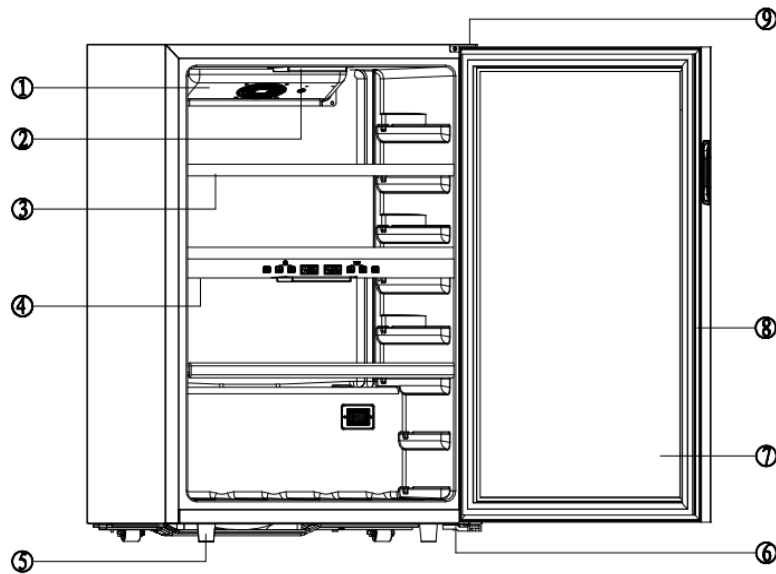
1	Ventilator
2	LED-Licht
3	Regal
4	Schaltfeld
5	Füße
6	Unteres Scharnier
7	Tür
8	Dichtungsleiste
9	Oberes Scharnier

Modell CC62SB:



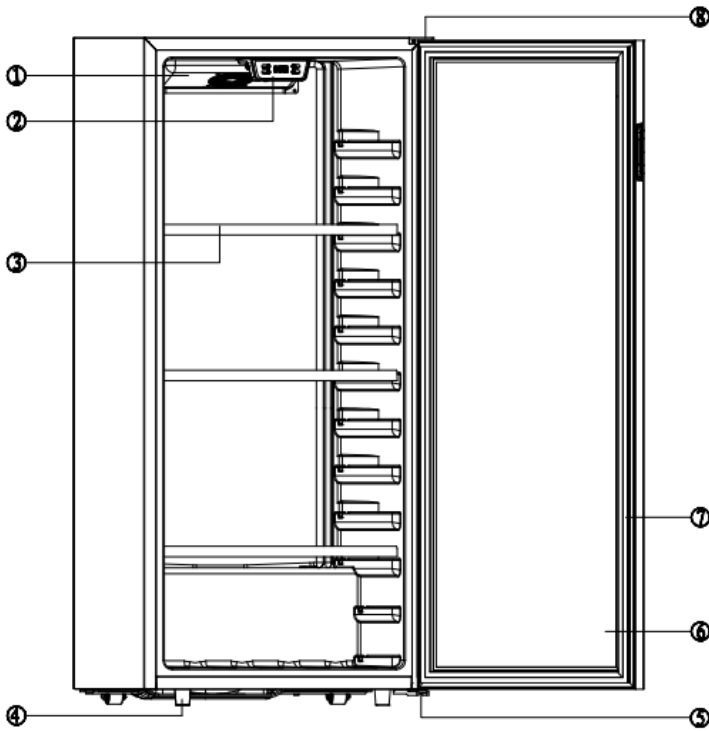
1	Ventilator
2	Schaltfeld und LED-Licht
3	Regal
4	Füße
5	Unteres Scharnier
6	Tür
7	Dichtungsleiste
8	Oberes Scharnier

Modell CC54DB:

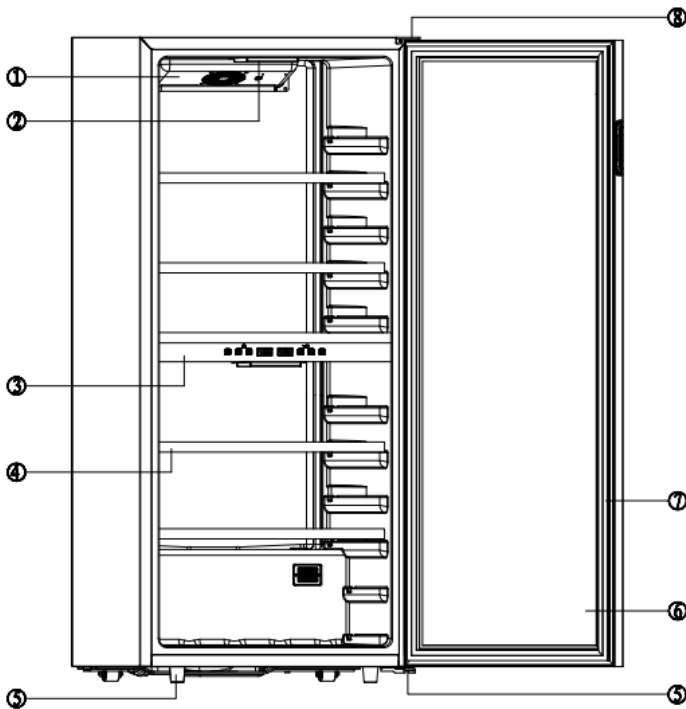


1	Ventilator
2	LED-Licht
3	Regal
4	Schaltfeld
5	Füße
6	Unteres Scharnier
7	Tür
8	Dichtungsleiste
9	Unteres Scharnier

Modell CC102SB:



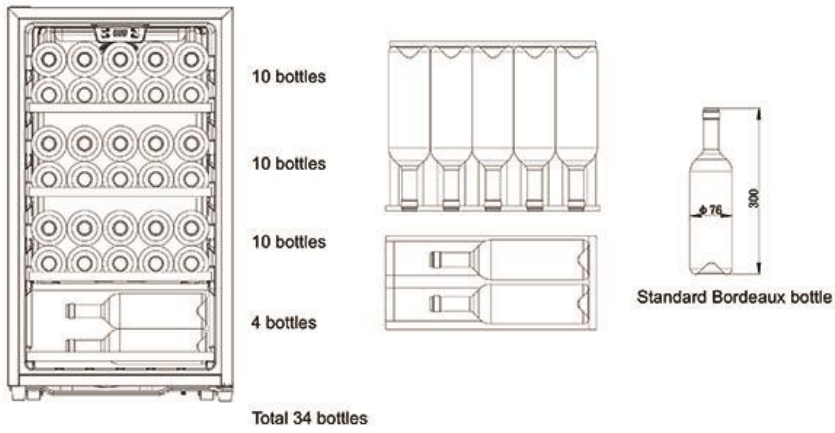
1	Ventilator
2	Schaltfeld und LED-Licht
3	Regal
4	Füße
5	Unteres Scharnier
6	Tür
7	Dichtungsleiste
8	Oberes Scharnier



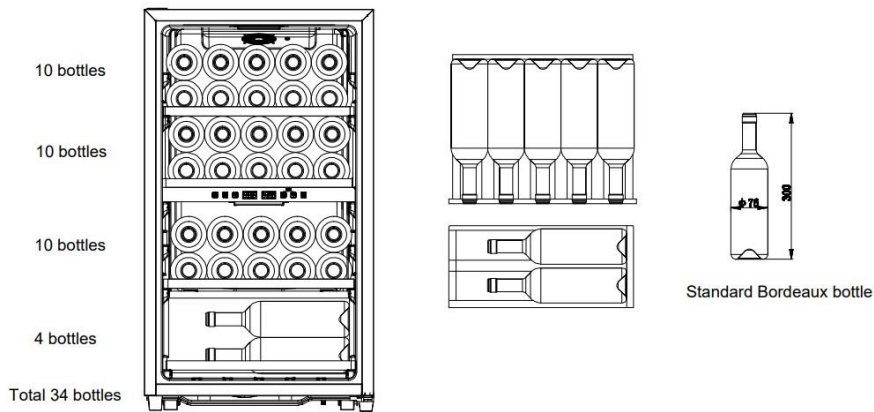
1	Ventilator
2	LED-Licht
3	Regal
4	Schaltfläche
5	Füße
6	Unteres Scharnier
7	Tür
8	Dichtungsleiste
9	Oberes Scharnier

Flaschenladekapazität

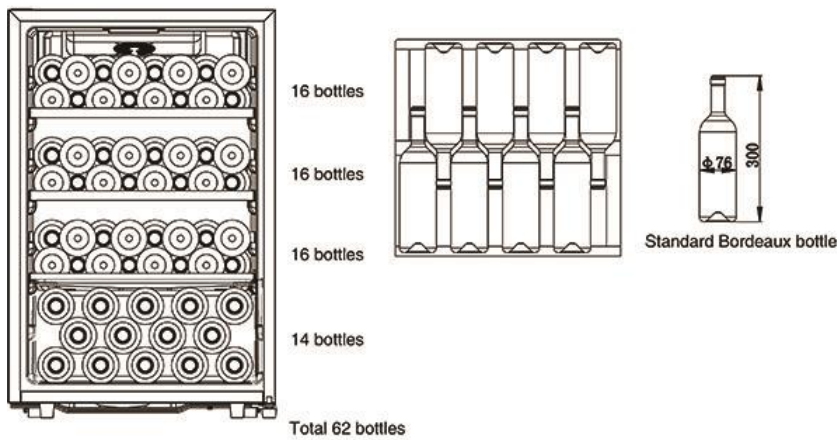
CC34SB



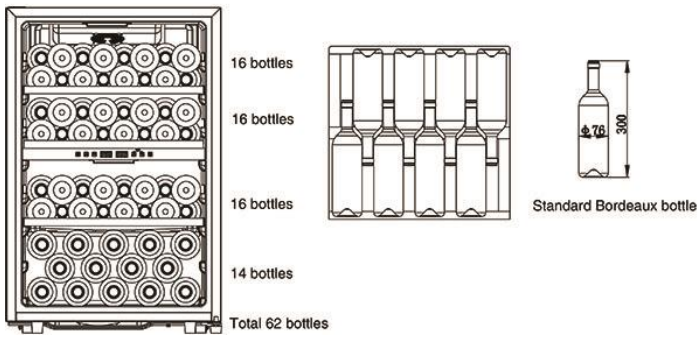
CC29DB



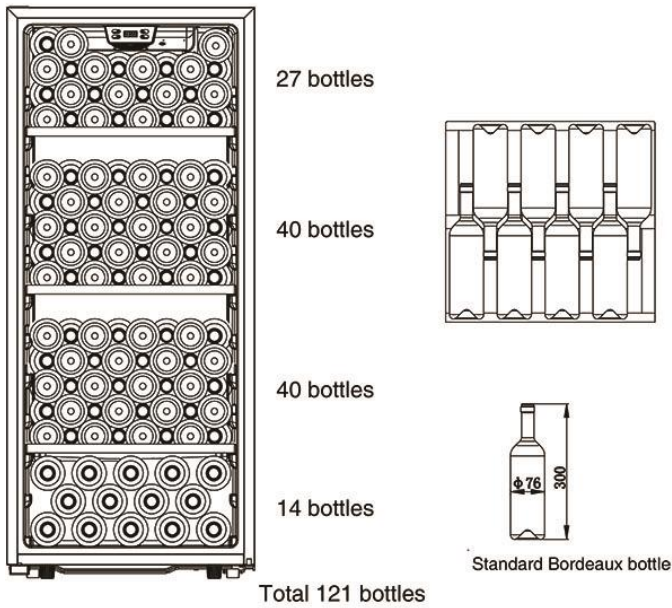
CC62SB



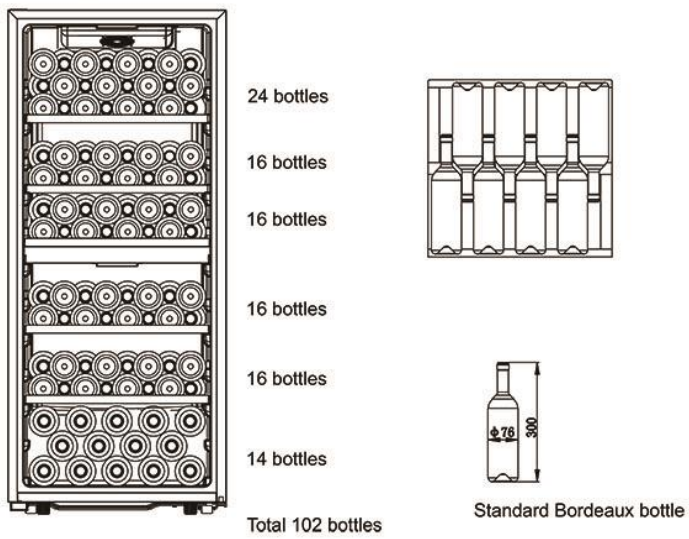
CC54DB



CC102SB



CC102DB



Installation

Vor der Ingebrauchnahme Ihres Weinkühlschranks:

- Entfernen Sie äußeres und inneres Verpackungsmaterial
- Lassen Sie das Gerät vor dem Anschließen an die Stromzufuhr mindestens vier Stunden ruhen.
- Reinigen Sie den Schrank mit einem weichen Tuch und lauwarmem Wasser.

Benutzung des Weinkühlschranks:

Ihr neuer Weinkühlschrank sollte in einem Raum mit einer Innentemperatur zwischen +16°C und +38°C stehen.

Ist die Raumtemperatur höher oder niedriger, wird die Funktion des Geräts beeinträchtigt und die erwünschte Schranktemperatur wird nicht erreicht werden können.

Modell CC34SB/CC62SB/CC102SB: Temperatur ist auf +5°C bis +20°C einstellbar.

Modell CC29DB/CC54DB/CC102DB: Temperatur ist auf +5°C bis +12°C in der oberen Zone und +12°C bis +18°C in der unteren Zone einstellbar.

Installation des Weinkühlschranks:

- Dieser Weinkühlschrank wurde für eine freistehende Installation entworfen.
- Positionieren Sie den Kühlschrank auf einem Untergrund, der stark genug ist, um ihn auch in vollbeladenem Zustand zu tragen. Justieren Sie die Standfüße unter dem Schrank, sodass er lotrecht steht.
- Um die beste Funktion und den geringsten Energieverbrauch zu erzielen, sollte das Gerät nicht in der Nähe von Wärmequellen (Öfen, Herden etc.) platziert werden und nicht in direkter Sonneneinstrahlung oder in einem Raum mit sehr geringer Temperatur stehen.
- Schließen Sie das Gerät an eine Steckdose an, und sorgen Sie für 50 mm Abstand zwischen Schrank und Wand. Der Schrank muss auf festem und solidem Untergrund stehen, damit Tür und Dichtungsleisten optimal funktionieren.

Schaltfeld:

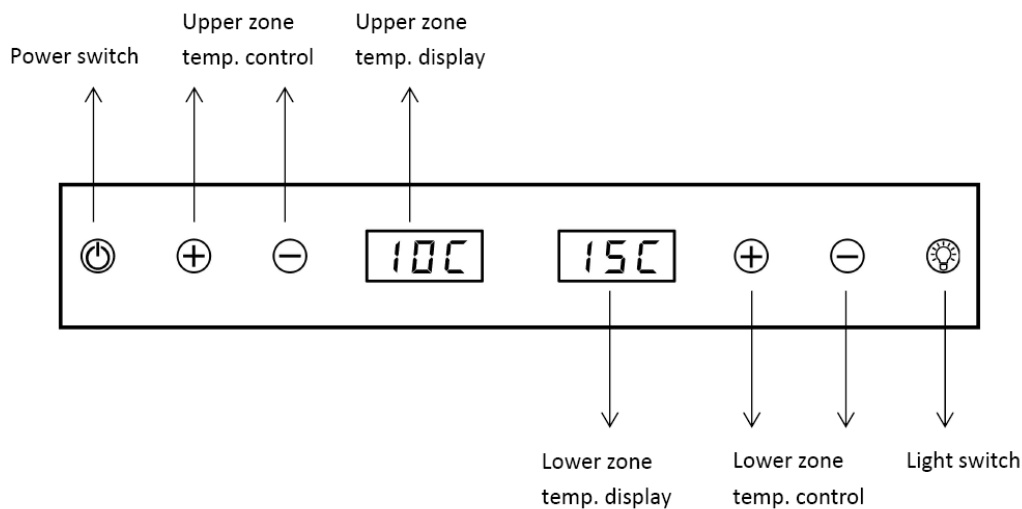
Modell CC34SB/CC62SB/CC102SB:



Die Temperatur kann auf zwischen 5°C und 20°C eingestellt werden.

- Drücken Sie die ON/OFF-Taste, um das Gerät einzuschalten, und halten sie die ON/OFF-Taste 3 Sekunden gedrückt, um das Gerät auszuschalten.
- Drücken Sie die Temperatur-Tasten UP und DOWN gleichzeitig für 3 Sekunden, um die LED-Anzeige von Celsius in Fahrenheit zu ändern.
- Die Temperatur wird durch Drücken der Tasten UP oder DOWN eingestellt. Mit jedem Druck auf die Tasten ändern Sie die Temperatur um 1°C.
- Drücken Sie die LIGHT-Taste, um das Licht ein- oder auszuschalten.

Modell CC29DB/CC54DB/CC102DB:



Power switch = Ein- und Ausschaltetaste

Upper zone temp. control = Oberer Kühlbereich, Temperatureinstellung







Upper zone temp. display = Oberer Kühlbereich, Temperaturanzeige

Lower zone temp. display = Unterer Kühlbereich, Temperaturanzeige

Lower zone temp. control = Unterer Kühlbereich, Temperatureinstellung

Light switch = Lichtschalter

Diese Modelle besitzen zwei Kühlbereiche, und die Temperatur kann im oberen Bereich auf 5°C bis 12°C und im unteren Bereich auf 12°C bis 18°C eingestellt werden.

- Drücken Sie die an/aus-Taste für drei Sekunden, um das Gerät ein- und auszuschalten. 
- Drücken Sie  die Licht-Taste, um das Licht ein- oder auszuschalten.
- Drücken Sie die untere  und  obere Temperatur-Taste gleichzeitig für drei Sekunden, um die LED-Anzeige von Celsius in Fahrenheit zu ändern.
- Sie können die Temperatur einstellen, indem sie auf die Tasten   in jedem Bereich

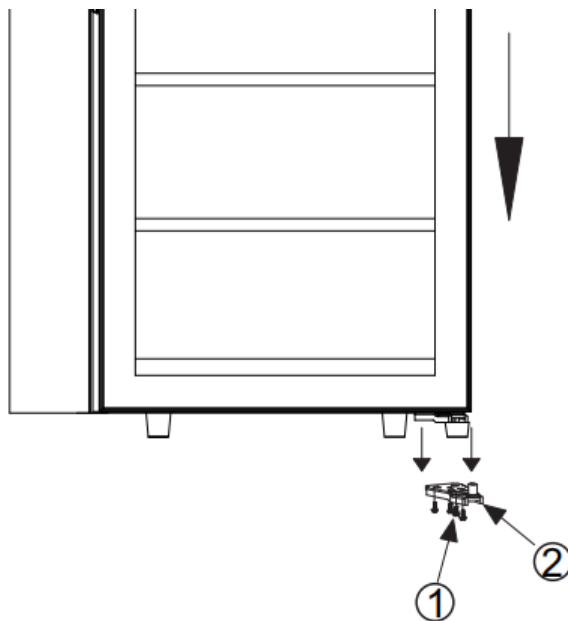
drücken.

- Jeder Druck auf eine der Temperaturtasten ändert die Temperatur um 1°C.

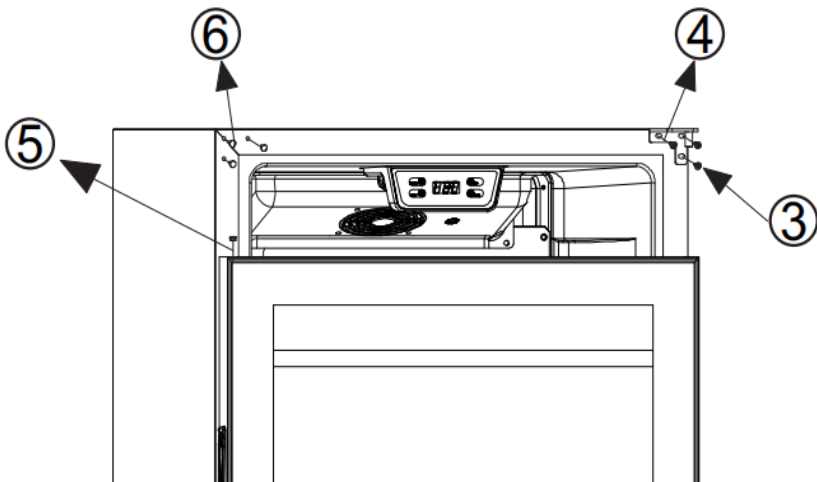
Wenden der Tür:

Die Tür dieses Geräts kann gewendet werden. Das Gerät wird mit der rechtsseitig aufgehängten Tür ausgeliefert. Die Tür kann linksseitig aufgehängt werden, indem folgende Schritte durchgeführt werden. Das linksseitige Scharnier ist diesem Bedienungshandbuch beigelegt. Behalten Sie es, für den Fall, dass die Tür linksseitig aufgehängt werden soll.

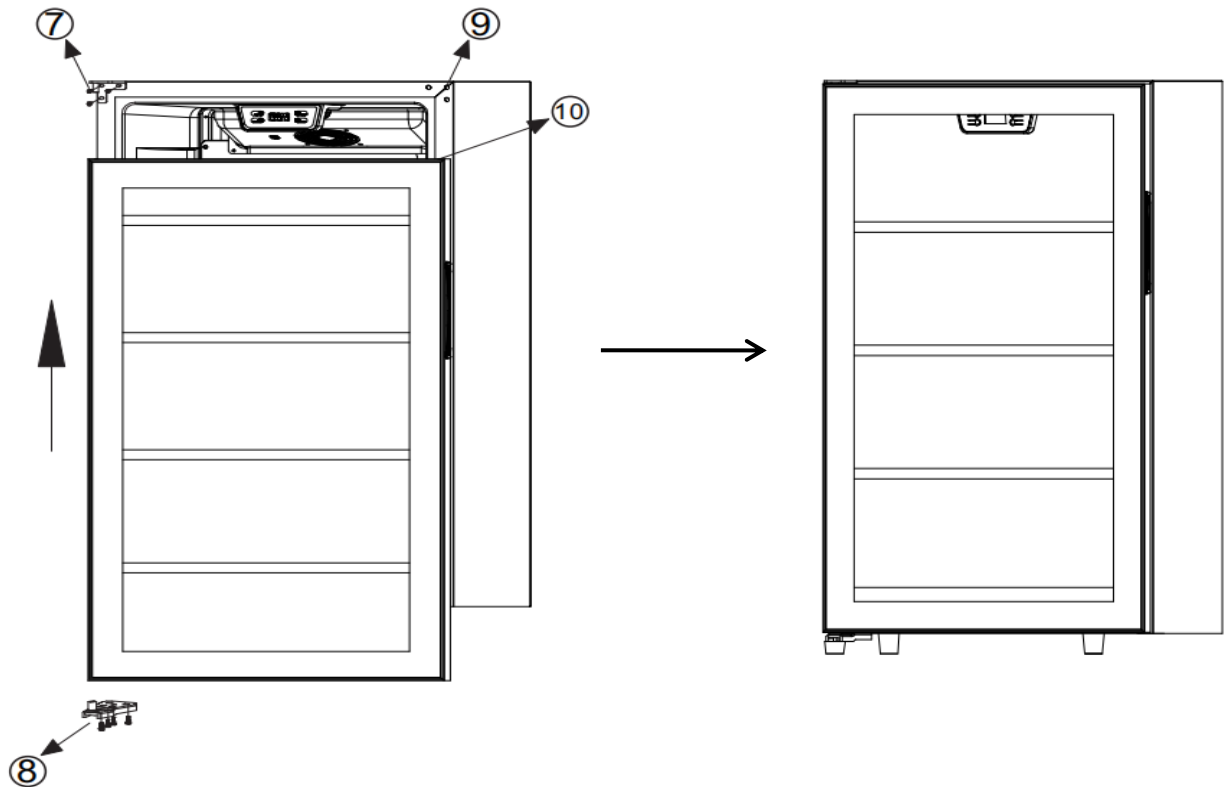
1. Schließen Sie die Tür des Geräts.
 2. Lösen Sie die Schrauben
- ① und entfernen Sie das untere Scharnier. ② ziehen Sie die Tür nach unten weg.



3. Lösen Sie die Schrauben ③ und entfernen Sie das obere rechtsseitige Scharnier. ④.
4. Entfernen Sie die Verschlusskappe zu Loch ⑤. Entfernen Sie die Verschlusskappe im Loch des oberen linken Scharniers ⑥



5. Installieren Sie das obere linksseitige Scharnier (7).
6. Installieren Sie die Tür.
7. Installieren Sie das linksseitige untere Scharnier (8).
8. Verschließen Sie das Loch des rechtsseitigen Scharniers (9) und verschließen sie das rechtsseitige Loch der Tür (10) mit den Verschlusskappen der linken Seite.



Ausrüstung

Klima-Kontrollsystem

Nach Expertenmeinung liegt die ideale Temperatur zur Lagerung von Wein bei ca. 12.°C bei einer Temperaturspanne von 10°C bis 14°C. Der Weinkühlschrank kann jedoch für unterschiedliche Weintypen auf Temperaturen von 5°C bis 20°C eingestellt werden. Plötzliche Temperaturschwankungen sollten dringend vermieden werden. Dieser Weinschrank wurde entwickelt, um eine konstante Temperatur zu halten.

Anti-Vibrations-System:

Der Kühlkompressor ist mit speziellen Dämpfern ausgestattet, und alle Hohlräume sind schaumisoliert. Diese Maßnahmen verhindern die Übertragung von Erschütterungen und Vibrationen auf den Wein.

Abtauen:

Dieses Gerät ist mit einem automatischen Abtau-System ausgestattet. Befindet sich die Kühlung im Standby-Modus, werden die Oberflächen des Geräts nach Notwendigkeit abgetaut bzw. enteist. Entstehendes Schmelz- und Kondenswasser wird automatisch an den Verdampfungs-Behälter überführt, der sich auf der Schrankrückseite in der Nähe des Kompressors befindet. Die Wärme des Kompressors lässt das Wasser kontinuierlich verdampfen.

Befüllen des Kühlschranks

Die empfohlene Flaschenanzahl dient ausschließlich als Richtwert und gibt lediglich einen Anhaltspunkt für die geschätzte Anzahl Flaschen, selbstverständlich in Abhängigkeit von der jeweiligen Flaschengröße. Das eigentliche Fassungsvermögen des Weinkühlschranks wird in Liter angegeben.

Die Flaschenzahl ist auf Grundlage einer Standard-Flasche Bordeaux von 75 cl angegeben. In den jeweiligen Wein-Anbaugebieten (Bordeaux, Bourgogne, Provence usw.) wird der Wein in Flaschen unterschiedlicher Größe abgefüllt.

Pflege

Zur Reinigung (die regelmäßig vorgenommen werden sollte) schalten Sie den Strom ab und ziehen Sie den Netzstecker.

Wir empfehlen, das Gerät innen und außen vor Ingebrauchnahme und danach regelmäßig an Vorder- und Rückseite sowie oben und an den Seiten mit warmem/lauwarmem Wasser, dem eventuell ein mildes Reinigungsmittel zugesetzt ist, und einem weichen Tuch zu reinigen.

Trocknen Sie vor dem Anschließen mit einem feuchten Tuch nach. Benutzen Sie keine Lösungs- oder andere scharfe Mittel. Trocknen Sie die Regale mit einem feuchten Tuch. Die Holzregale bedürfen keiner besonderen Pflege.

Bei der ersten Ingebrauchnahme des Geräts können Gerüche entstehen. Lassen Sie das Gerät für einige Stunden auf der niedrigsten Temperaturstufe leer stehen. Normalerweise wird die Kälte den Geruch vertreiben.

Aufbewahrung des Weinkühlschranks

Falls Sie das Gerät eine Zeitlang nicht benutzen, sollten Sie Normaleinstellung des Schaltfelds beibehalten.

Bei längeren Zeiten ohne Nutzung:

- Entfernen Sie alle Flaschen
- Ziehen Sie den Netzstecker
- Reinigen Sie das Gerät innen und außen
- Lassen Sie die Tür offenstehen, um Gerüche und Schimmelbildung zu verhindern.

Verhalten bei Stromausfall

Die meisten Stromausfälle dauern lediglich 1-2 Stunden und werden keinen großen Einfluss auf die Innentemperatur des Schrankes haben. Um Ihren Wein zu schützen, sollten Sie die Tür im Falle eines Stromausfalls nicht öffnen.

War der Strom unterbrochen, sollten Sie 3-5 Minuten vor dem Neustart warten. Denken Sie daran, dass der Kompressor nur anspringen wird, wenn Kühlbedarf besteht.

War der Strom unterbrochen, können Ihre am Schaltfeld vorgenommenen Temperatureinstellungen verschwunden sein. Dies ist normal. Es kann einige Stunden dauern, bis das Schaltfeld die Normaleinstellung wieder anzeigt.

Standortwechsel

Schalten Sie das Gerät aus und ziehen Sie den Stecker aus der Steckdose.

Entfernen Sie alle Flaschen und sichern Sie lose Gegenstände.

Um Beschädigungen der Gerätefüße zu vermeiden, schrauben Sie sie ganz in den Sockel hinein.

Versetzen Sie das Gerät aufrechtstehend, schauen Sie evtl. auf der Originalverpackung nach, in

welche Richtung das Gerät geneigt werden kann.

Verhalten bei Störungen

Im Fall von Funktionsstörungen oder -unterbrechungen stellen Sie zunächst folgendes fest, bevor Sie einen Fachbetrieb hinzuziehen:

1. Das Gerät ist ans Stromnetz angeschlossen
2. Es herrscht in Haus und weiterem Umfeld kein Stromausfall.

Wichtig:

Sollten Kabel beschädigt sein, müssen diese durch einen autorisierten Fachbetrieb gewechselt werden.

Falls Ihre Überprüfung nicht die Störung behebt, kontaktieren Sie bitte die Verkaufsstelle, bei der Sie die Ware erworben haben.

WARNUNG!

**ZIEHEN SIE DEN STECKER AUS DER STECKDOSE, BEVOR SIE DAS GERÄT
REPARIEREN**

Probleme und Lösungen

Sie selbst können die meisten einfachen Probleme mit Ihrem Weinkühlschrank lösen. Versuchen Sie Folgendes:

PROBLEM	MÖGLICHE URSACHE
GERÄT FUNKTIONIERT NICHT	Gerätestecker nicht in Steckdose eingesteckt. Gerät ist nicht eingeschaltet. Überprüfen, ob die Steckdose funktionsfähig ist und die Sicherung intakt ist.
GERÄT KÜHLT NICHT GENÜGENDE	Temperatureinstellung überprüfen. Prüfen, <ul style="list-style-type: none"> • ob die Umgebungstemperatur oberhalb oder unterhalb der Leistungsfähigkeit des Geräts liegt. • ob die Tür zu häufig geöffnet wurde. • ob die Tür richtig schließt • ob die Gummileiste dicht ist. • ob genügend Luft das Gerät umgibt, damit es die Abwärme loswerden kann.
KOMPRESSOR STARTET UND STOPPT HÄUFIG	Raumtemperatur ist zu hoch. Eine größere Anzahl Flaschen wurde kurz zuvor in das Gerät gelegt. Die Tür wird häufig geöffnet. Die Tür schließt nicht richtig. Der Weinkühlschrank ist nicht korrekt eingestellt.
LED-BELEUCHTUNG FUNKTIONIERT NICHT	Gerätestecker ist nicht in Steckdose eingesteckt. Eine Sicherung ist herausgesprungen. Der Lichtschalter steht auf „aus“.
VIBRATION	Prüfen, ob das Gerät auf festem Untergrund steht und ordnungsgemäß ausgerichtet ist.
GERÄT LÄRMT	Ein Geräusch wie fließendes Wasser ist normal, es handelt sich um die Kühlflüssigkeit. Zum Ende einer Kühlperiode ist das Geräusch von Wasser hörbar. Ausweitung und Kontraktion des Kühlsystems sind normal. Das Gerät ist nicht lot- und waagrecht ausgerichtet. Prüfen, ob der Ventilator ordnungsgemäß arbeitet.
TÜR LÄSST SICH NICHT SCHLIEßEN	Gerät ist nicht lot- und waagrecht ausgerichtet. Die Gummileiste der Tür ist beschädigt oder verschmutzt. Die Regale sind nicht korrekt platziert. Inhalt ragt zu weit heraus und verhindert, dass die Tür sich schließen lässt.
LED-DISPLAY FUNKTIONIERT NICHT	Steuerungseinheit ist beschädigt. Power-Taste wurde nicht aktiviert. Gerätestecker nicht in Steckdose eingesteckt.



Dieses Produkt erfüllt den Standard der EU-Richtlinie 2002/96/EC über Elektro- und Elektronik-Altgeräte.

Das Symbol des durchgestrichenen Abfallcontainers auf diesem Gerät bedeutet, dass das Gerät nur im nächstgelegenen Recyclingcenter entsorgt werden darf.

Anhang 1

Model	CC34SB	CC29DB	CC62SB	CC54DB	CC102SB	CC102DB
Strom	220-240V/50Hz	220-240V/50Hz	220-240V/50Hz	220-240V/50Hz	220-240V/50Hz	220-240V/50Hz
Produktgröße (BXTXH)mm	480x430x508	480x430x850	480x565x850	550x565x850	550x565x1277	550x565x1277
Nettogewicht (kg)	28	30	34	36.5	53	55
Energieklasse	A	A	A	B	B	B
Energieverbrauch/24h	0.389kWh/24h	0.389kWh/24h	0.406kWh/24h	0.521kWh/24h	0.586kWh/24h	0.581kWh/24h
Energieforbrug/Jahr	142 kWh/Jahr	141 kW/Jahr	148 kWh/Jahr	190 kWh/Jahr	214 kWh/Jahr	212 kWh/Jahr
Abtauen	Automatisch	Automatisch	Automatisch	Automatisch	Automatisch	Automatisch
Klimaklasse	ST	ST	T	ST	T	ST
Geräuschemission dB(A)	42 dB	40 dB	41 dB	44 dB	43 dB	42 dB
Installationstyp	Freistehend	Freistehend	Freistehend	Freistehend	Freistehend	Freistehend